



PLANETARY GEARBOXES



PLANETARY GEARBOXES



INDEX

STEPPER GEARBOXES	389
SERVO GEARBOXES	402

Key advantages of R.T.A. planetary gearboxes

SG series is a full range of planetary gearboxes combining high performance with optimal reliability. It features a perfect PLUG AND GO solution with R.T.A. stepper and servo motors.

- Low noise.
- High quality.
- High precision.
- High nominal and accelerants torque.
- Excellent radial and axial load carrying capacity.
- IP64 protection degree.
- Custom ratios available.



R.T.A. added value: the service

- Wide stock of models always available.
- Dedicated warehouse with quick restore.
- Professional service of assembling and testing.
- Quality test on every product to ensure the best performance and traceability.

● R.T.A. Stock philosophy

R.T.A. gearboxes are always available at stock, guaranteeing very fast delivery times.



● R.T.A. Plug&Go solution in 5 easy steps

R.T.A. offers an exclusive professional assembly service of stepper and servo motors with the wide range of planetary gearboxes.

- Select the gearboxes and motors from our wide range of models always available in stock.
- Our highly qualified staff will make the assembly and testing of the products.
- The assembled motor/gearbox combo is ready to use.
- Processing and shipping times will be extremely fast.
- No more storage charges, assembly and quality control.



**PLUG
&
GO!**

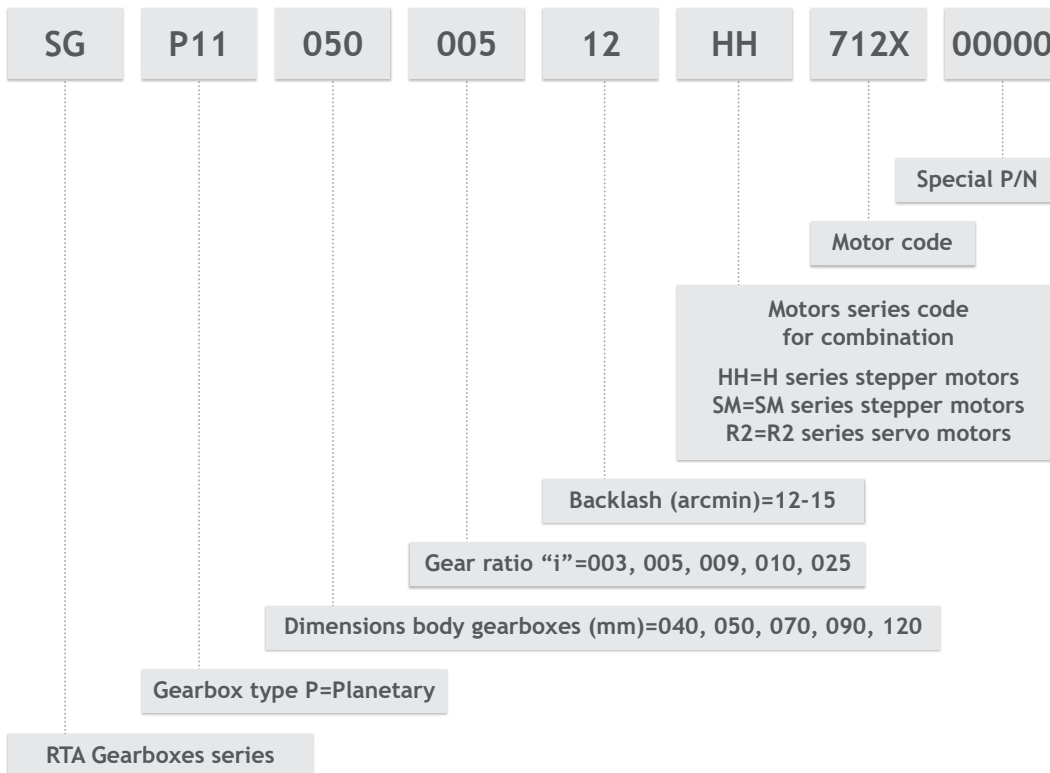


Planetary gearboxes encoding models



Motion Control Systems
 Type: SG-P11-050-005-12-HH-712X-00000
 Serial Number: xxxx i:xx
 www.rta.it
 www.rta-store.com MADE IN ITALY

ENCODING MODELS



2 series, 32 models

1 STEPPER GEARBOXES



- 16 models
- Motor flange coupling from Nema 17 to Nema 34
- i= 03, 05, 09, 10, 25
- Gearbox body from 40 mm to 90 mm
- IP 64 protection degree
- Low Backlash versions



**CUSTOM RATIOS
AVAILABLE**

**LOW BACKLASH
VERSIONS**

2 SERVO GEARBOXES



- 16 models
- Motor flange coupling from flange 40mm to 100mm
- i= 03, 05, 10, 25
- Gearbox body from 40 mm to 120 mm
- IP 64 protection degree



**CUSTOM RATIOS
AVAILABLE**

**LOW BACKLASH
VERSIONS**

Table of contents

PLANETARY GEARBOXES

	GEARBOX BODY (mm)	MAX VELOCITY (min ⁻¹)	BACKLASH (arcmin)	RATED OUTPUT TORQUE	EMERGENCY TORQUE (Nm)	MOTOR COUPLING (Flange size)	PAGE
STEPPER GEARBOXES							
BODY SIZE Ø mm 40 MOTOR FLANGE mm 42 - SHAFT Ø mm 5							
SG-P12-040-005-15-HH-52XX-00000	40	5000	15'	12	30	NEMA 17	390
SG-P12-040-010-15-HH-52XX-00000	40	5000	15'	6	25	NEMA 17	390
SG-P12-040-025-19-HH-52XX-00000	40	5000	19'	12	30	NEMA 17	390
BODY SIZE Ø mm 55 MOTOR FLANGE mm 56 - SHAFT Ø mm 6.35							
SG-P11-050-003-12-HH-712X-00000	55	4000	12'	10	28	NEMA 23	391
SG-P11-050-005-12-HH-712X-00000	55	5000	12'	12	30	NEMA 23	391
SG-P11-050-009-12-HH-712X-00000	55	6000	12'	10	28	NEMA 23	391
BODY SIZE Ø mm 55 MOTOR FLANGE mm 60 - SHAFT Ø mm 8							
SG-P11-050-003-12-HH-782X-00000	55	4000	12'	10	28	60 mm	392
SG-P11-050-005-12-HH-782X-00000	55	5000	12'	12	30	60 mm	392
BODY SIZE Ø mm 55 MOTOR FLANGE mm 60 - SHAFT Ø mm 14							
SG-P11-050-003-12-HH-7826-00000	55	4000	12'	10	28	60 mm	393
BODY SIZE Ø mm 55 MOTOR FLANGE mm 85 - SHAFT Ø mm 14							
SG-P11-050-005-12-SM-2861-00000	55	5000	12'	12	30	NEMA 34	394
BODY SIZE Ø mm 70 MOTOR FLANGE mm 60- SHAFT Ø mm 8							
SG-P11-070-010-12-HH-782X-00000	70	6000	12'	18	60	60 mm	395

PLANETARY GEARBOXES

	GEARBOX BODY (mm)	MAX VELOCITY (min ⁻¹)	BACKLASH (arcmin)	RATED OUTPUT TORQUE	EMERGENCY TORQUE (Nm)	MOTOR COUPLING (Flange size)	PAGE
STEPPER GEARBOXES							
BODY SIZE Ø mm 70 MOTOR FLANGE mm 85 - SHAFT Ø mm 14							
SG-P11-070-010-12-SM-2861-00000	70	6000	12'	18	60	NEMA 34	396
BODY SIZE Ø mm 70 MOTOR FLANGE mm 85 - SHAFT Ø mm 14							
SG-P11-070-003-12-SM-286X-00000	70	4000	12'	18	60	NEMA 34	397
SG-P11-070-005-12-SM-286X-00000	70	5000	12'	25	70	NEMA 34	397
BODY SIZE Ø mm 90 MOTOR FLANGE 85 mm - SHAFT Ø mm 14							
SG-P11-090-010-12-SM-286X-00000	90	6000	12'	37	150	NEMA 34	398
SG-P11-090-025-15-SM-2861-00000	90	4500	15'	43	160	85 mm	399
BODY SIZE Ø mm 120 MOTOR FLANGE 86 mm - SHAFT Ø mm 14							
SG-P11-120-025-15-SM-286X-00000	120	4500	15'	110	360	NEMA 34	400
SERVO GEARBOXES							
BODY SIZE Ø mm 40 MOTOR FLANGE mm 40 - SHAFT Ø mm 8							
SG-P12-040-005-15-R2-0100-00000	40	5000	15'	12	30	40 mm	403
SG-P12-040-010-15-R2-0100-00000	40	5000	15'	6	25	40 mm	403
SG-P12-040-025-19-R2-0100-00000	40	5000	19'	12	30	40 mm	403
BODY SIZE Ø mm 70 MOTOR FLANGE mm 60 - SHAFT Ø mm 14							
SG-P11-070-003-12-R2-0X00-00000	70	4000	12'	18	60	60 mm	404
SG-P11-070-005-12-R2-0X00-00000	70	5000	12'	25	70	60 mm	404
SG-P11-070-010-12-R2-0X00-00000	70	6000	12'	18	60	60 mm	404
BODY SIZE Ø mm 90 MOTOR FLANGE mm 60 - SHAFT Ø mm 14							
SG-P11-090-010-12-R2-0400-00000	90	6000	12'	37	150	60 mm	405
BODY SIZE Ø mm 90 MOTOR FLANGE mm 60 - SHAFT Ø mm 14							
SG-P11-090-025-15-R2-0X00-00000	90	4500	12'	43	160	60 mm	406
BODY SIZE Ø mm 90 MOTOR FLANGE mm 80 - SHAFT Ø mm 16							
SG-P11-090-003-12-R2-0750-00000	90	3500	12'	37	160	10 mm	407
SG-P11-090-005-12-R2-0750-00000	90	4500	12'	43	160	80 mm	407
SG-P11-090-010-12-R2-0750-00000	90	6000	12'	37	150	80 mm	407
BODY SIZE Ø mm 90 MOTOR FLANGE mm 100 - SHAFT Ø mm 16							
SG-P11-090-005-12-R2-1000-00000	90	4500	12'	43	160	100 mm	408
BODY SIZE Ø mm 120 MOTOR FLANGE mm 80 - SHAFT Ø mm 16							
SG-P11-120-010-12-R2-0750-00000	120	6000	12'	95	150	80 mm	409
SG-P11-120-025-15-R2-0750-00000	120	4500	12'	110	360	80 mm	409
BODY SIZE Ø mm 120 MOTOR FLANGE mm 100 - SHAFT Ø mm 16							
SG-P11-120-010-12-R2-1000-00000	120	5000	12'	95	300	100 mm	410
SG-P11-120-025-15-R2-1000-00000	120	4500	12'	110	360	100 mm	410

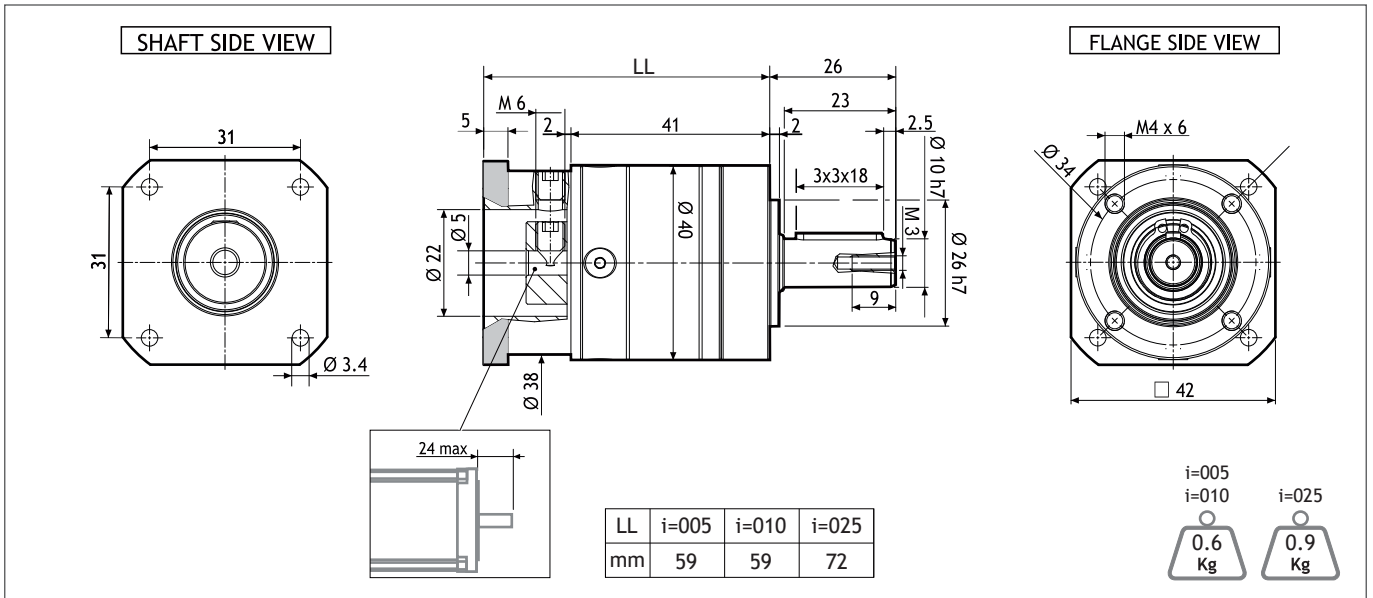
PLANETARY GEARBOXES
STEPPER GEARBOXES



SG-P12-040-0XX-1X-HH-52XX-00000



Dimensions (Units:mm)



MODEL	Rated output torque [Nm]	Maximum acceleration output torque [Nm]	Emergency step output torque [Nm]	Backlash [arcmin]	Nominal input speed [min ⁻¹]	Maximum momentary input speed [min ⁻¹]	Torsional stiffness [Nm/arcmin]	Maximum radial force applying on output shaft [N]	Maximum axial force applying on output shaft [N]	Gear efficiency [%]	Gear moment of inertia [Kg·m ²]
SG-P12-040-005-15-HH-52XX-00000	12	18	30	<15'	3500	5000	0.8	220	200	98	1.6x10 ⁻⁶
SG-P12-040-010-15-HH-52XX-00000	6	9	25	<15'	3500	5000	0.8	220	200	98	1.2x10 ⁻⁶
SG-P12-040-025-19-HH-52XX-00000	12	18	30	<19'	3500	5000	0.8	220	200	97	1.5x10 ⁻⁶

Suggested motors

RH 1S0M

RH 1S1M

RH 1S2M

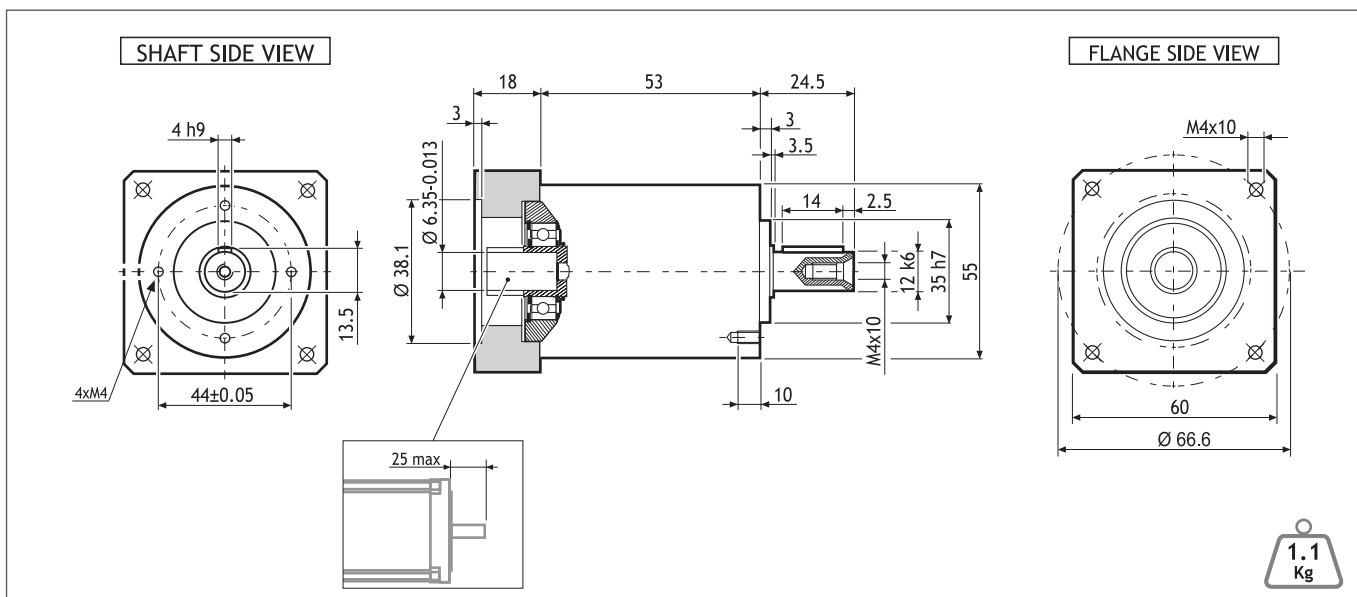
RH 1S3M

MOUNTING OPERATION MODE: ■ Tightening torque M=5 Nm ■ Locking bolt M4 ■ R.T.A. Quality Control

SG-P11-050-00X-12-HH-712X-00000



Dimensions (Units:mm)



MODEL	Rated output torque [Nm]	Maximum acceleration output torque [Nm]	Emergency step output torque [Nm]	Backlash [arcmin]	Nominal input speed [min ⁻¹]	Maximum momentary input speed [min ⁻¹]	Torsional stiffness [Nm/arcmin]	Maximum radial force applying on output shaft [N]	Maximum axial force applying on output shaft [N]	Gear efficiency [%]	Gear moment of inertia [Kgm ²]
SG-P11-050-003-12-HH-712X-00000	10	16	28	12'	3300	4000	0.9	500	600	97	0.07x10 ⁻⁴
SG-P11-050-005-12-HH-712X-00000	12	20	30	12'	3500	5000	0.9	500	600	97	0.05x10 ⁻⁴
SG-P11-050-009-12-HH-712X-00000	10	16	28	12'	4000	6000	0.9	500	600	97	0.04x10 ⁻⁴

Suggested motors

103-H7123 SERIES

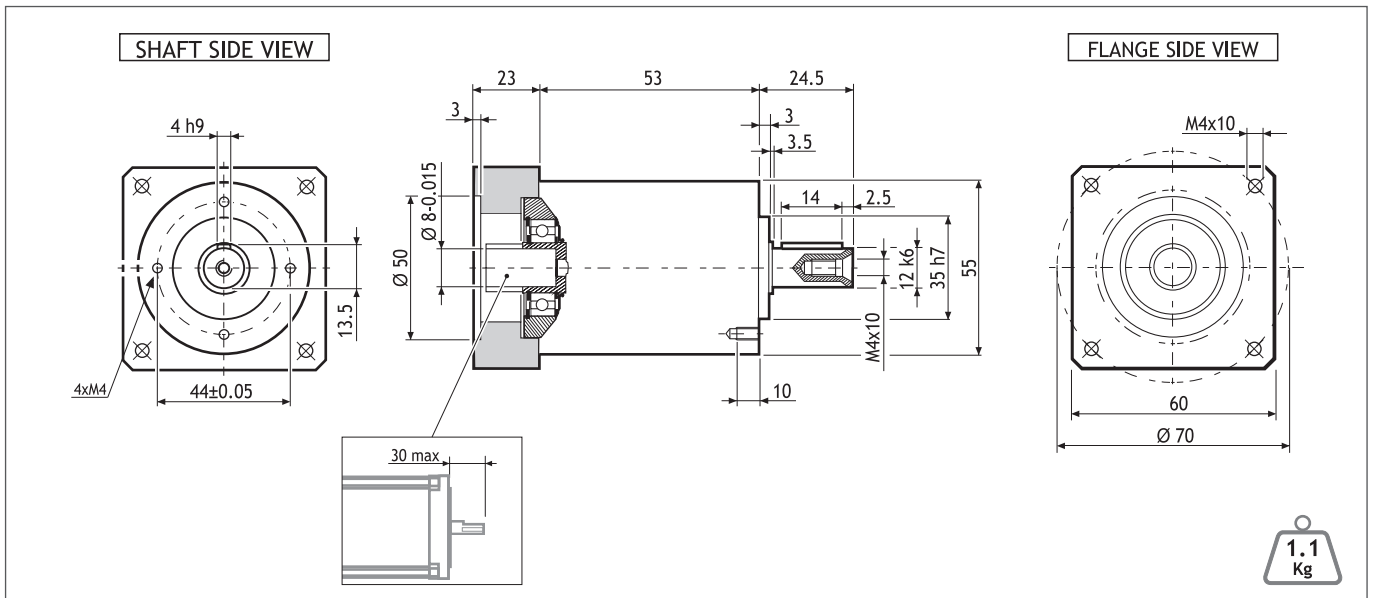
103-H7126 SERIES

MOUNTING OPERATION MODE: ■ Tightening torque M=5 Nm ■ Locking bolt M4 ■ R.T.A. Quality Control

SG-P11-050-0XX-12-HH-782X-00000



Dimensions (Units:mm)



MODEL	Rated output torque [Nm]	Maximum acceleration output torque [Nm]	Emergency step output torque [Nm]	Backlash [arcmin]	Nominal input speed [min ⁻¹]	Maximum momentary input speed [min ⁻¹]	Torsional stiffness [Nm/arcmin]	Maximum radial force applying on output shaft [N]	Maximum axial force applying on output shaft [N]	Gear efficiency [%]	Gear moment of inertia [Kgm ²]
SG-P11-050-003-12-HH-782X-00000	10	16	28	12'	3300	4000	0.9	500	600	97	0.07x10 ⁻⁴
SG-P11-050-005-12-HH-782X-00000	12	20	30	12'	3500	5000	0.9	500	600	97	0.05x10 ⁻⁴

Suggested motors

103-H7823 SERIES

MOUNTING OPERATION MODE: ■ Tightening torque M=5 Nm ■ Locking bolt M4 ■ R.T.A. Quality Control

SG-P11-050-003-12-HH-7826-00000



PLANETARY GEARBOXES

SG 050

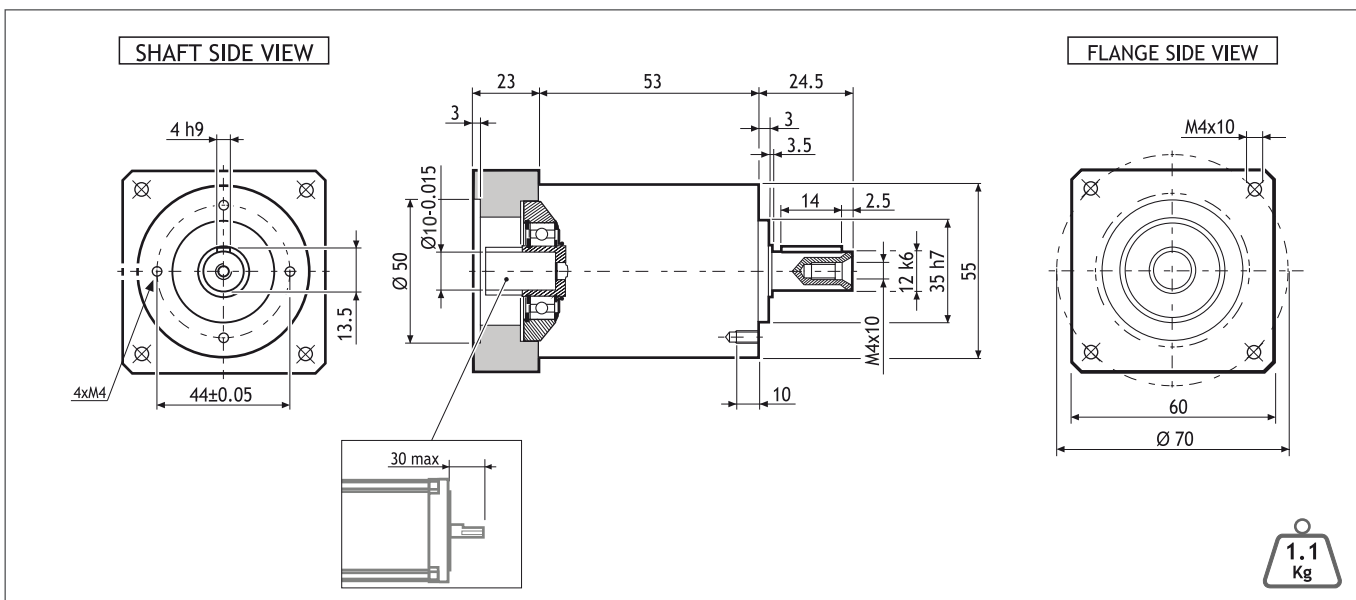
$i=003$

$\varphi=12'$

MADE IN ITALY

IP64

Dimensions (Units:mm)



MODEL	Rated output torque [Nm]	Maximum acceleration output torque [Nm]	Emergency step output torque [Nm]	Backlash [arcmin]	Nominal input speed [min ⁻¹]	Maximum momentary input speed [min ⁻¹]	Torsional stiffness [Nm/arcmin]	Maximum radial force applying on output shaft [N]	Maximum axial force applying on output shaft [N]	Gear efficiency [%]	Gear moment of inertia [Kgm ²]
SG-P11-050-003-12-HH-7826-00000	10	16	28	12'	3300	4000	0.9	500	600	97	0.07x10 ⁻⁴

Suggested motors

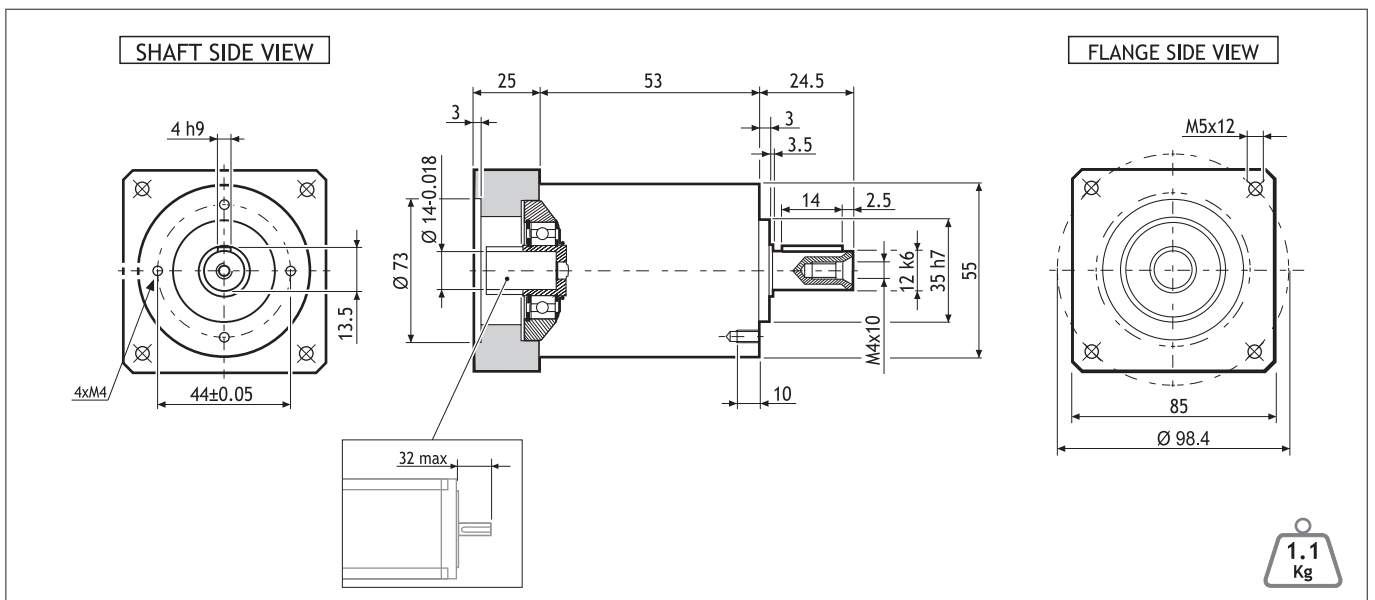
103-H7826 SERIES

MOUNTING OPERATION MODE: ■ Tightening torque M=5 Nm ■ Locking bolt M4 ■ R.T.A. Quality Control

SG-P11-050-005-12-SM-2861-00000



Dimensions (Units:mm)



MODEL	Rated output torque [Nm]	Maximum acceleration output torque [Nm]	Emergency step output torque [Nm]	Backlash [arcmin]	Nominal input speed [min ⁻¹]	Maximum momentary input speed [min ⁻¹]	Torsional stiffness [Nm/arcmin]	Maximum radial force applying on output shaft [N]	Maximum axial force applying on output shaft [N]	Gear efficiency [%]	Gear moment of inertia [Kg·m ²]
SG-P11-050-005-12-SM-2861-00000	12	20	30	12'	3500	5000	0.9	500	600	97	0.07x10 ⁻⁴

Suggested motors

RM 3R1M

MOUNTING OPERATION MODE: ■ Tightening torque M=5 Nm ■ Locking bolt M4 ■ R.T.A. Quality Control

SG-P11-070-010-12-HH-782X-00000



PLANETARY GEARBOXES

SG 070

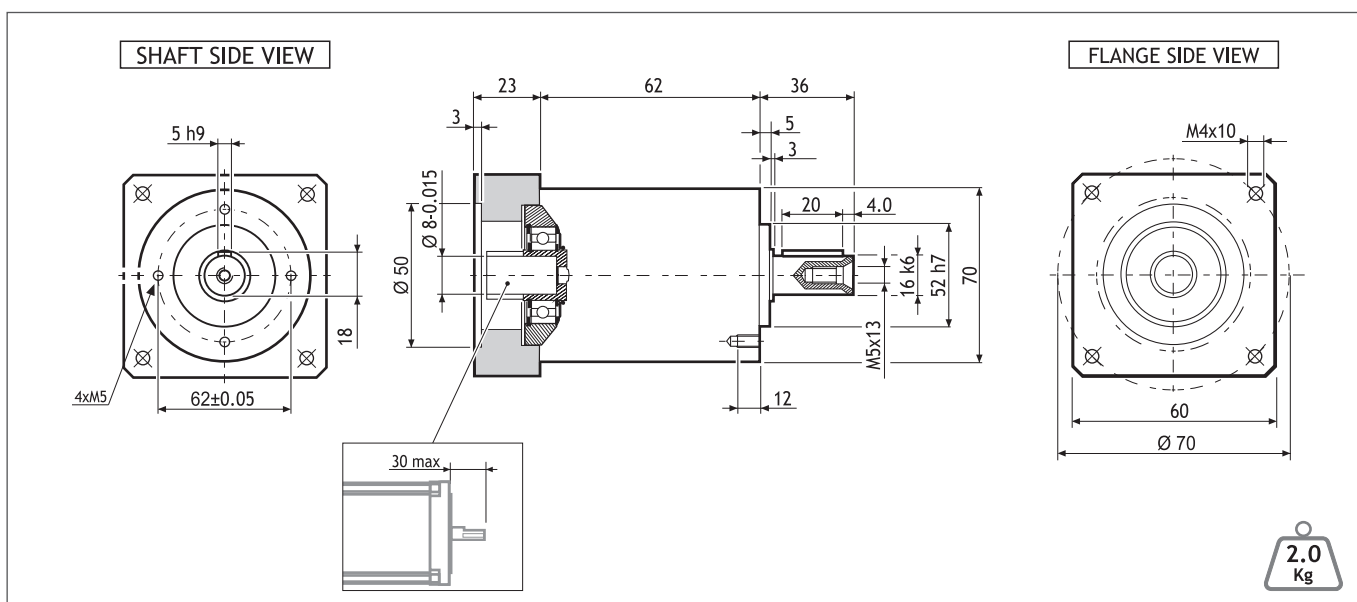
$i=010$

$\varphi=12'$

MADE IN ITALY

IP64

Dimensions (Units:mm)



2.0 Kg

MODEL	Rated output torque [Nm]	Maximum acceleration output torque [Nm]	Emergency step output torque [Nm]	Backlash [arcmin]	Nominal input speed [min ⁻¹]	Maximum momentary input speed [min ⁻¹]	Torsional stiffness [Nm/arcmin]	Maximum radial force applying on output shaft [N]	Maximum axial force applying on output shaft [N]	Gear efficiency [%]	Gear moment of inertia [Kgm ²]
SG-P11-070-010-12-HH-782X-00000	18	30	60	12'	4000	6000	3	1300	1400	97	0.06x10 ⁻⁴

Suggested motors

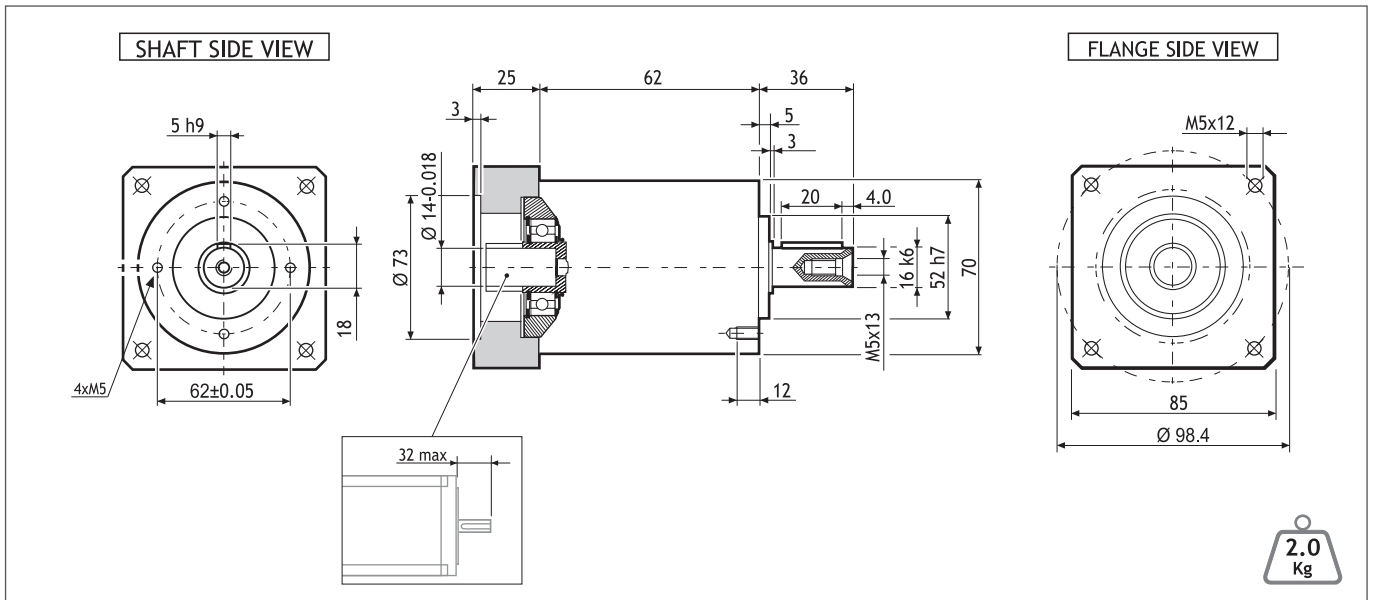


MOUNTING OPERATION MODE: ■ Tightening torque M=5 Nm ■ Locking bolt M4 ■ R.T.A. Quality Control

SG-P11-070-010-12-SM-2861-00000



Dimensions (Units:mm)



MODEL	Rated output torque [Nm]	Maximum acceleration output torque [Nm]	Emergency step output torque [Nm]	Backlash [arcmin]	Nominal input speed [min ⁻¹]	Maximum momentary input speed [min ⁻¹]	Torsional stiffness [Nm/arcmin]	Maximum radial force applying on output shaft [N]	Maximum axial force applying on output shaft [N]	Gear efficiency [%]	Gear moment of inertia [Kgm ²]
SG-P11-070-010-12-SM-2861-00000	18	30	60	12'	4000	6000	3	1300	1400	97	0.04x10 ⁻⁴

Suggested motors

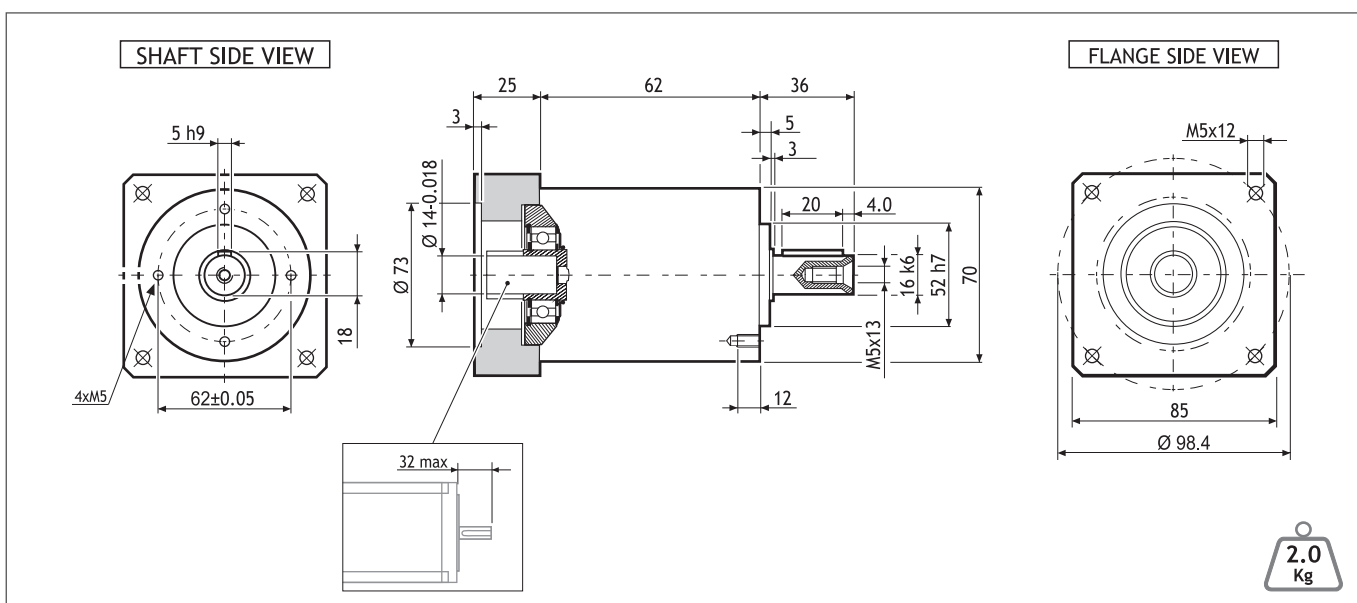
RM 3R1M

MOUNTING OPERATION MODE: ■ Tightening torque M=5 Nm ■ Locking bolt M4 ■ R.T.A. Quality Control

SG-P11-070-0XX-12-SM-286X-00000



Dimensions (Units:mm)



MODEL	Rated output torque [Nm]	Maximum acceleration output torque [Nm]	Emergency step output torque [Nm]	Backlash [arcmin]	Nominal input speed [min ⁻¹]	Maximum momentary input speed [min ⁻¹]	Torsional stiffness [Nm/arcmin]	Maximum radial force applying on output shaft [N]	Maximum axial force applying on output shaft [N]	Gear efficiency [%]	Gear moment of inertia [Kg·m ²]
SG-P11-070-003-12-SM-286X-00000	18	30	60	12'	3300	4000	3	1300	1400	97	0.14x10 ⁻⁴
SG-P11-070-005-12-SM-286X-00000	25	35	70	12'	3500	5000	3	1300	1400	97	0.09x10 ⁻⁴

Suggested motors

RM 3R2M

RM 3R3M

MOUNTING OPERATION MODE: ■ Tightening torque M=5 Nm ■ Locking bolt M4 ■ R.T.A. Quality Control

SG-P11-090-010-12-SM-286X-00000



PLANETARY GEARBOXES

SG 090

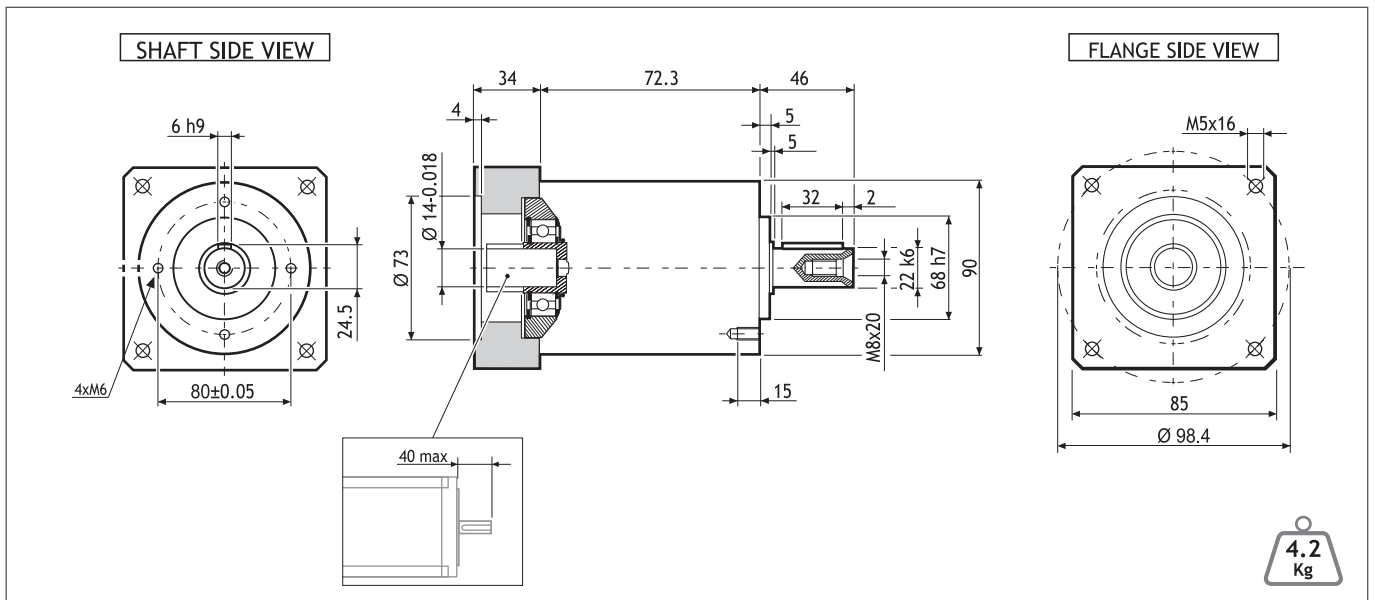
$i=010$

$\Phi=12'$

MADE IN ITALY

IP64

Dimensions (Units:mm)



MODEL	Rated output torque [Nm]	Maximum acceleration output torque [Nm]	Emergency step output torque [Nm]	Backlash [arcmin]	Nominal input speed [min ⁻¹]	Maximum momentary input speed [min ⁻¹]	Torsional stiffness [Nm/arcmin]	Maximum radial force applying on output shaft [N]	Maximum axial force applying on output shaft [N]	Gear efficiency [%]	Gear moment of inertia [Kgm ²]
SG-P11-090-010-12-SM-286X-00000	37	70	150	12'	4000	6000	9	2200	1900	97	0.35x10 ⁻⁴

Suggested motors

RM 3R2M

RM 3R3M

MOUNTING OPERATION MODE: ■ Tightening torque M=11 Nm ■ Locking bolt M6 ■ R.T.A. Quality Control

SG-P11-090-025-15-SM-2861-00000



PLANETARY GEARBOXES

SG 090

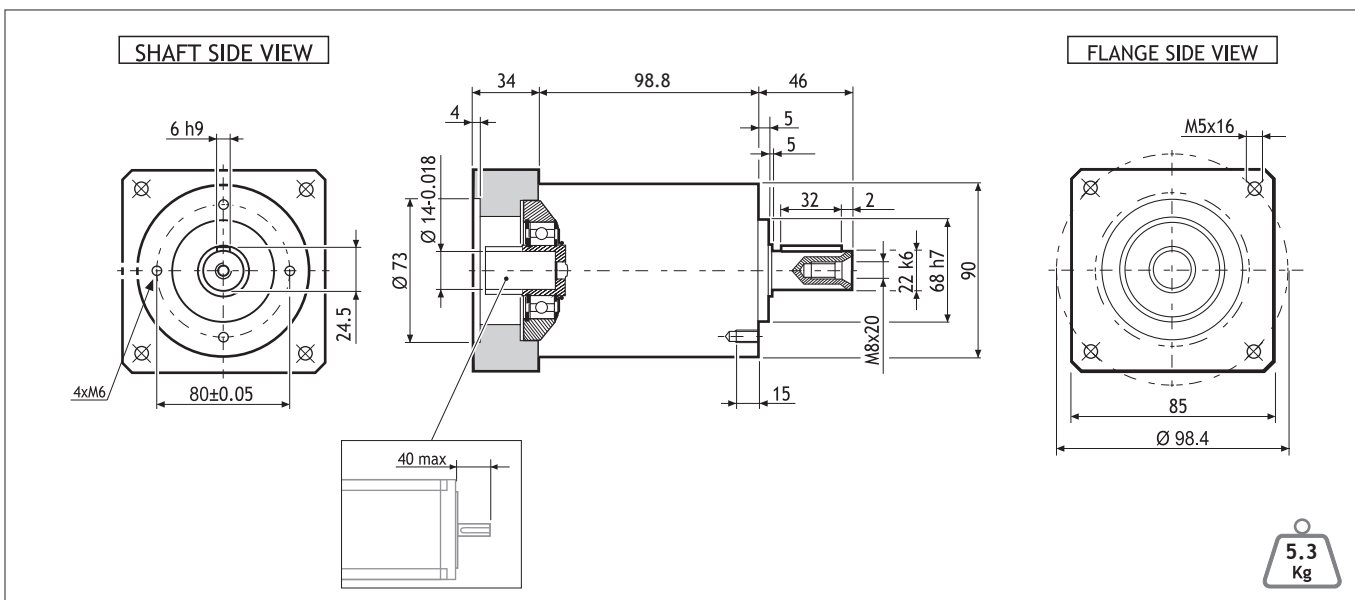
$i=025$

$\varphi=15'$

MADE IN ITALY

IP64

Dimensions (Units:mm)



MODEL	Rated output torque [Nm]	Maximum acceleration output torque [Nm]	Emergency step output torque [Nm]	Backlash [arcmin]	Nominal input speed [min ⁻¹]	Maximum momentary input speed [min ⁻¹]	Torsional stiffness [Nm/arcmin]	Maximum radial force applying on output shaft [N]	Maximum axial force applying on output shaft [N]	Gear efficiency [%]	Gear moment of inertia [Kg ^m ²]
SG-P11-090-025-15-SM-2861-00000	43	80	160	15'	3200	4500	8.5	2200	1900	94	0.40x10 ⁻⁴

Suggested motors

RM 3R1M

MOUNTING OPERATION MODE: ■ Tightening torque M=11 Nm ■ Locking bolt M6 ■ R.T.A. Quality Control

SG-P11-120-025-15-SM-286X-00000



PLANETARY GEARBOXES

SG 120

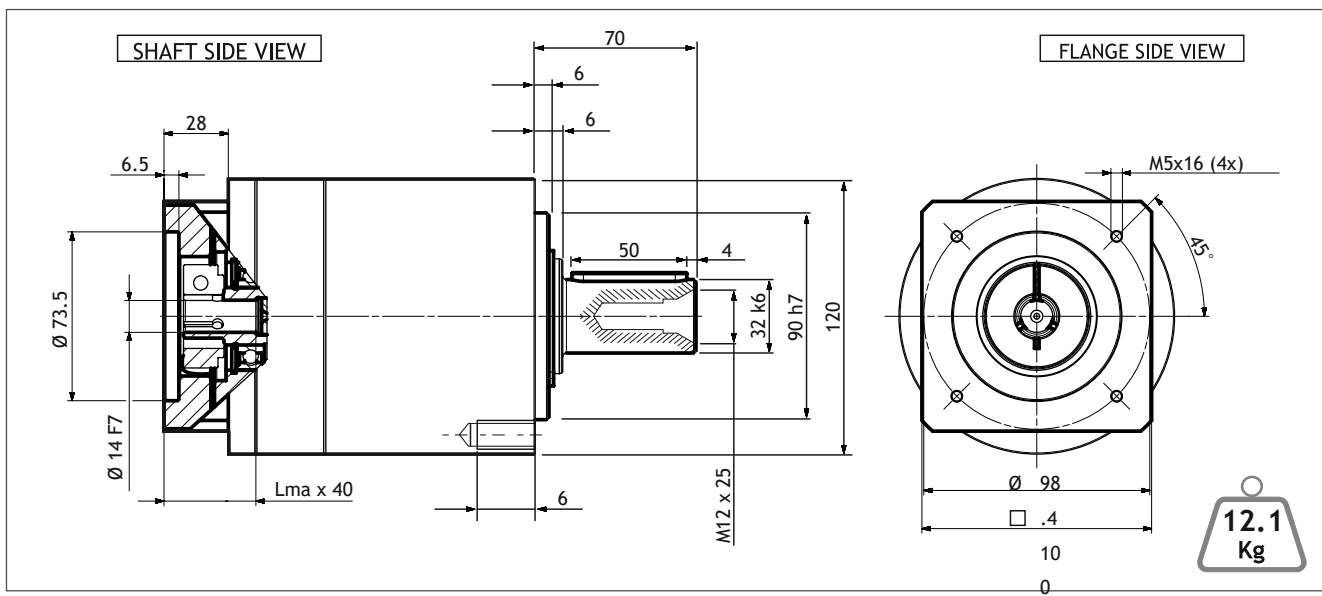
$i=025$

$\Phi=15'$

MADE IN ITALY

IP64

Dimensions (Units:mm)



MODEL	Rated output torque [Nm]	Maximum acceleration output torque [Nm]	Emergency step output torque [Nm]	Backlash [arcmin]	Nominal input speed [min ⁻¹]	Maximum momentary input speed [min ⁻¹]	Torsional stiffness [Nm/arcmin]	Maximum radial force applying on output shaft [N]	Maximum axial force applying on output shaft [N]	Gear efficiency [%]	Gear moment of inertia [Kgcm ²]
SG-P11-120-025-15-SM-286X-00000	110	190	360	15'	3000	4500	22.5	3500	3000	94	0.71

Suggested motors

RM 3RxM

RM 3TxM-0xx0

MOUNTING OPERATION MODE: ■ Tightening torque M=11 Nm ■ Locking bolt M6 ■ R.T.A. Quality Control

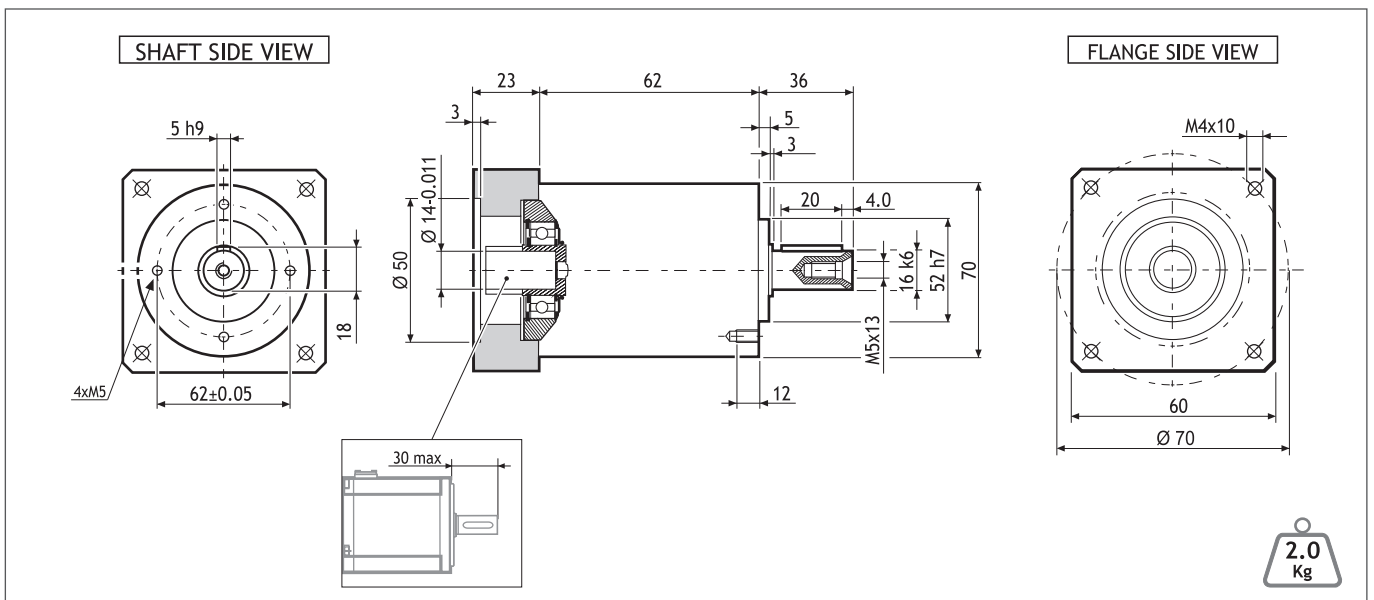
PLANETARY GEARBOXES
SERVO GEARBOXES



SG-P11-070-0XX-12-R2-0X00-00000



Dimensions (Units:mm)



MODEL	Rated output torque [Nm]	Maximum acceleration output torque [Nm]	Emergency step output torque [Nm]	Backlash [arcmin]	Nominal input speed [min ⁻¹]	Maximum momentary input speed [min ⁻¹]	Torsional stiffness [Nm/arcmin]	Maximum radial force applying on output shaft [N]	Maximum axial force applying on output shaft [N]	Gear efficiency [%]	Gear moment of inertia [Kg·m ²]
SG-P11-070-003-12-R2-0X00-00000	18	30	60	12'	3300	4000	3	1300	1400	97	0.12x10 ⁻⁴
SG-P11-070-005-12-R2-0X00-00000	25	35	70	12'	3500	5000	3	1300	1400	97	0.09x10 ⁻⁴
SG-P11-070-010-12-R2-0X00-00000	18	30	60	12'	4000	6000	3	1300	1400	97	0.06x10 ⁻⁴

Suggested motors

R2AA06020 SERIES

R2AA06040 SERIES

MOUNTING OPERATION MODE: ■ Tightening torque M=5 Nm ■ Locking bolt M4 ■ R.T.A. Quality Control

SG-P11-090-010-12-R2-0400-00000



PLANETARY GEARBOXES

SG 090

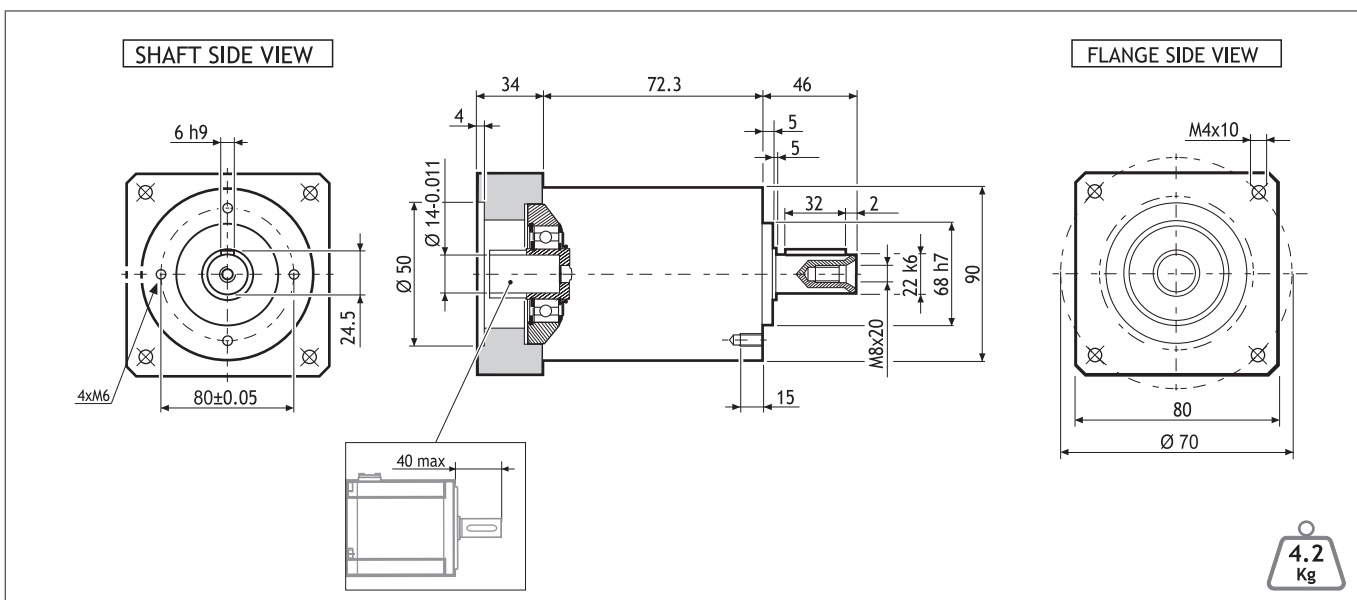
$i=010$

$\Phi=12'$

MADE IN ITALY

IP64

Dimensions (Units:mm)



MODEL	Rated output torque [Nm]	Maximum acceleration output torque [Nm]	Emergency step output torque [Nm]	Backlash [arcmin]	Nominal input speed [min ⁻¹]	Maximum momentary input speed [min ⁻¹]	Torsional stiffness [Nm/arcmin]	Maximum radial force applying on output shaft [N]	Maximum axial force applying on output shaft [N]	Gear efficiency [%]	Gear moment of inertia [Kg·m ²]
SG-P11-090-010-12-R2-0400-00000	37	70	150	12'	4000	6000	9	2200	1900	97	0.35x10 ⁻⁴

Suggested motors

R2AA06040 SERIES

MOUNTING OPERATION MODE: ■ Tightening torque M=11 Nm ■ Locking bolt M6 ■ R.T.A. Quality Control

SG-P11-090-025-15-R2-0X00-00000



PLANETARY GEARBOXES

SG 090

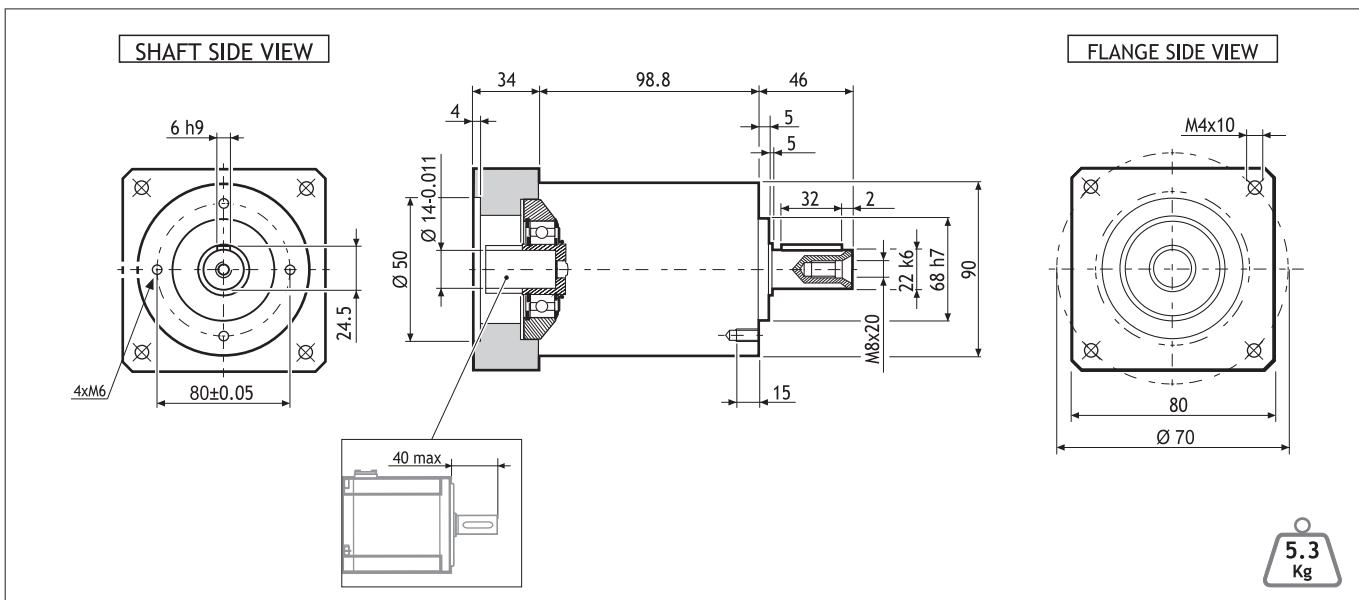
$i=025$

$\varphi=15'$

MADE IN ITALY

IP64

Dimensions (Units:mm)



MODEL	Rated output torque [Nm]	Maximum acceleration output torque [Nm]	Emergency step output torque [Nm]	Backlash [arcmin]	Nominal input speed [min ⁻¹]	Maximum momentary input speed [min ⁻¹]	Torsional stiffness [Nm/arcmin]	Maximum radial force applying on output shaft [N]	Maximum axial force applying on output shaft [N]	Gear efficiency [%]	Gear moment of inertia [Kgm ²]
SG-P11-090-025-15-R2-0X00-00000	43	80	160	15'	3200	4500	8.5	2200	1900	94	0.40x10 ⁻⁴

Suggested motors

MOUNTING OPERATION MODE:

R2AA06020 SERIES

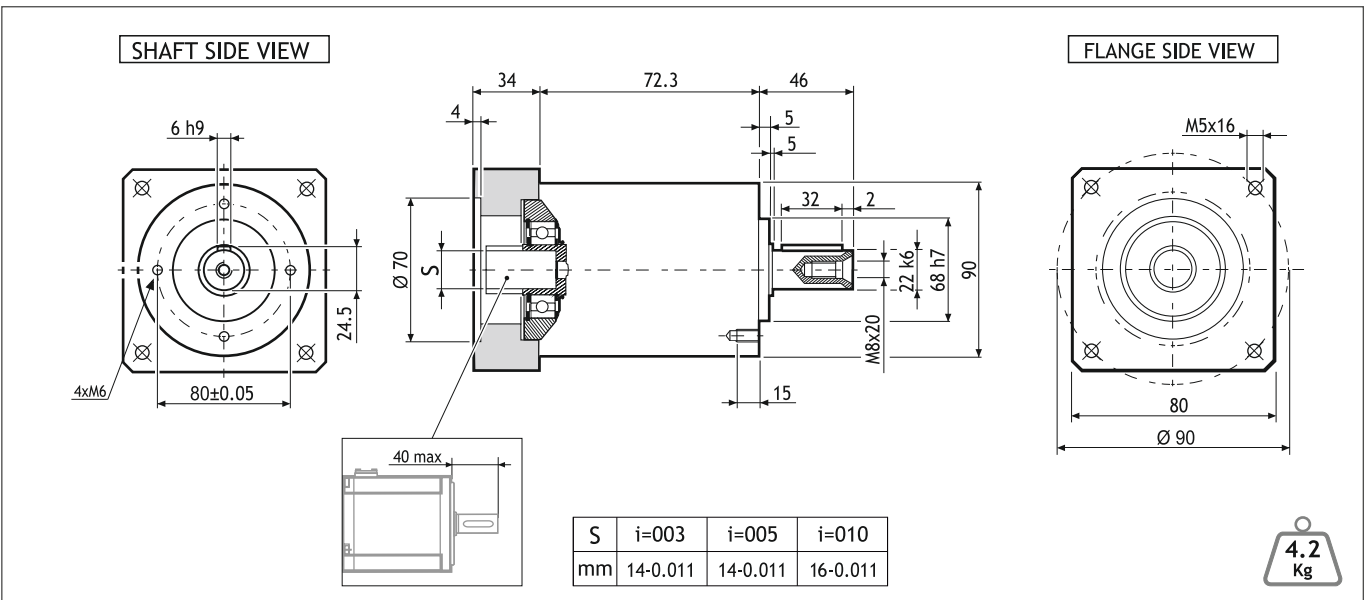
R2AA06040 SERIES

■ Tightening torque M=11 Nm
 ■ Locking bolt M6
 ■ R.T.A. Quality Control

SG-P11-090-0XX-12-R2-0750-00000



Dimensions (Units:mm)



MODEL	Rated output torque [Nm]	Maximum acceleration output torque [Nm]	Emergency step output torque [Nm]	Backlash [arcmin]	Nominal input speed [min ⁻¹]	Maximum momentary input speed [min ⁻¹]	Torsional stiffness [Nm/arcmin]	Maximum radial force applying on output shaft [N]	Maximum axial force applying on output shaft [N]	Gear efficiency [%]	Gear moment of inertia [Kg·m ²]
SG-P11-090-003-12-R2-0750-00000	37	70	150	12'	2900	3500	7	2200	1900	97	0.65x10 ⁻⁴
SG-P11-090-005-12-R2-0750-00000	43	80	160	12'	3200	4500	9	2200	1900	97	0.47x10 ⁻⁴
SG-P11-090-010-12-R2-0750-00000	37	70	150	12'	4000	6000	9	2200	1900	97	0.35x10 ⁻⁴

Suggested motors



R2AA08075 SERIES



MOUNTING OPERATION MODE: ■ Tightening torque M=11 Nm ■ Locking bolt M6 ■ R.T.A. Quality Control

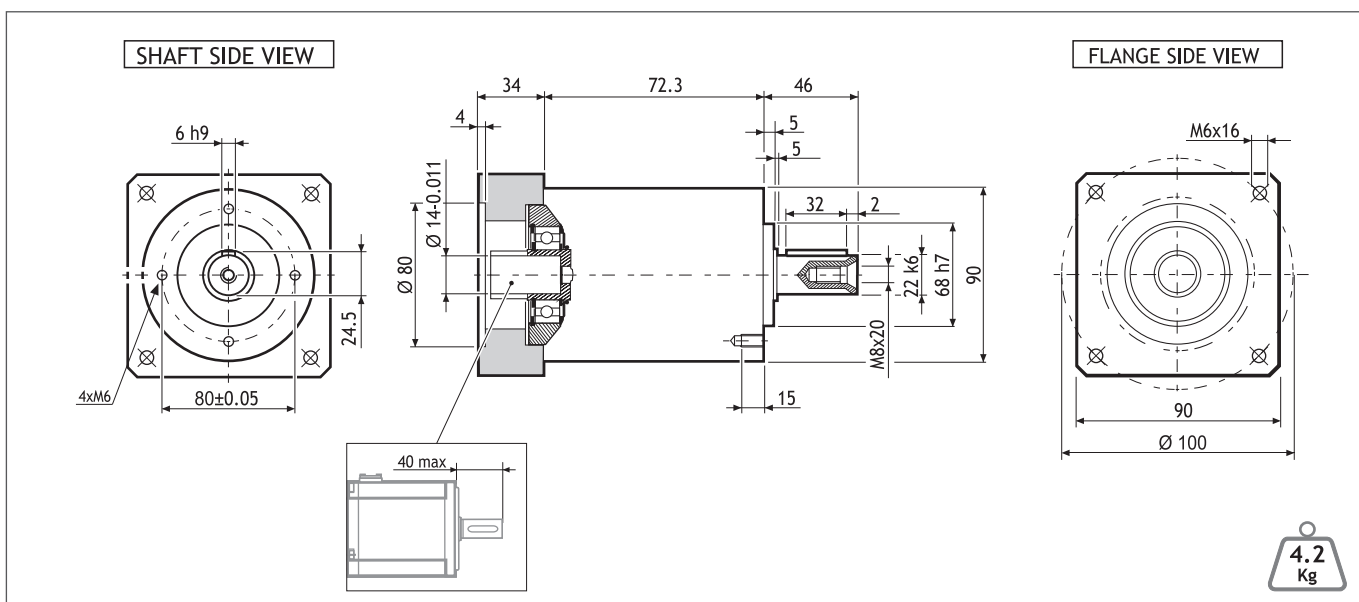
SG-P11-090-005-12-R2-1000-00000



PLANETARY GEARBOXES

- SG 090
- $i=005$
- $\varphi=12'$
- MADE IN ITALY
- IP64

Dimensions (Units:mm)



MODEL	Rated output torque [Nm]	Maximum acceleration output torque [Nm]	Emergency step output torque [Nm]	Backlash [arcmin]	Nominal input speed [min ⁻¹]	Maximum momentary input speed [min ⁻¹]	Torsional stiffness [Nm/arcmin]	Maximum radial force applying on output shaft [N]	Maximum axial force applying on output shaft [N]	Gear efficiency [%]	Gear moment of inertia [Kgm ²]
SG-P11-090-005-12-R2-1000-00000	43	80	160	12'	3200	4500	9	2200	1900	97	0.47x10 ⁻⁴

Suggested motors

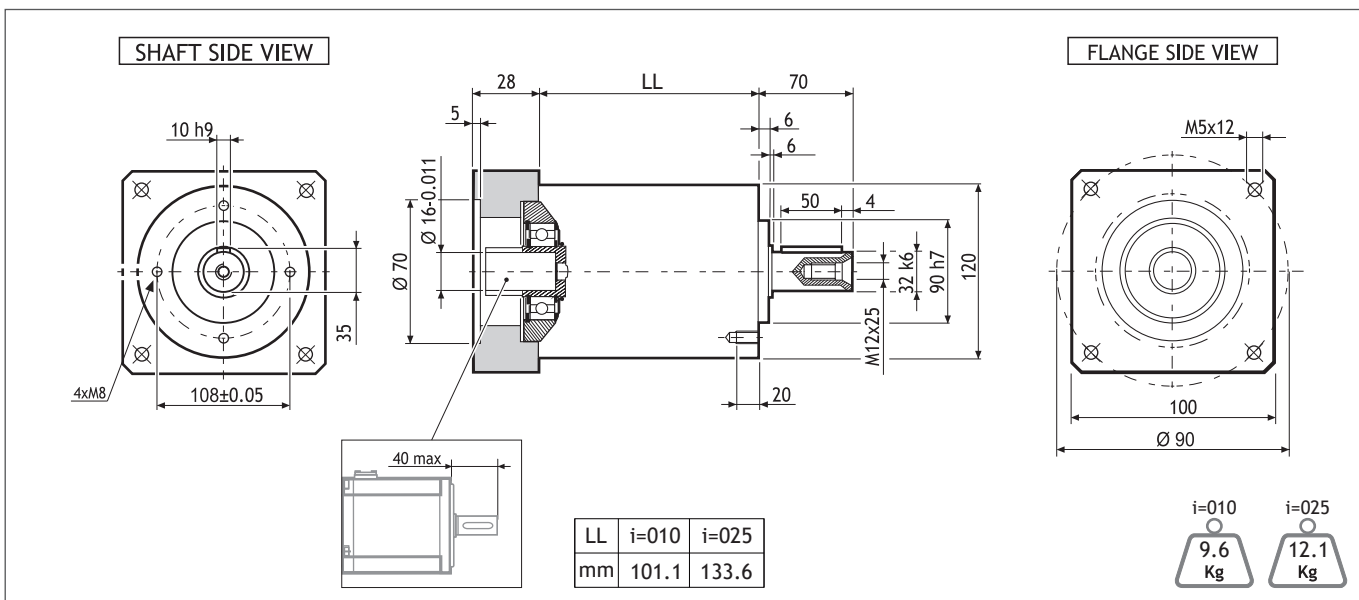
R2AAB8100 SERIES

MOUNTING OPERATION MODE: ■ Tightening torque M=11 Nm ■ Locking bolt M6 ■ R.T.A. Quality Control

SG-P11-120-0XX-1X-R2-0750-00000



Dimensions (Units:mm)



MODEL	Rated output torque [Nm]	Maximum acceleration output torque [Nm]	Emergency step output torque [Nm]	Backlash [arcmin]	Nominal input speed [min ⁻¹]	Maximum momentary input speed [min ⁻¹]	Torsional stiffness [Nm/arcmin]	Maximum radial force applying on output shaft [N]	Maximum axial force applying on output shaft [N]	Gear efficiency [%]	Gear moment of inertia [Kg·m ²]
SG-P11-120-010-12-R2-0750-00000	95	160	300	12'	3500	5000	25	3500	3000	97	0.49x10 ⁻⁴
SG-P11-120-025-15-R2-0750-00000	110	190	360	15'	3000	4500	22.5	3500	3000	94	0.71x10 ⁻⁴

Suggested motors



R2AA08075 SERIES



MOUNTING OPERATION MODE: ■ Tightening torque M=11 Nm ■ Locking bolt M6 ■ R.T.A. Quality Control

SG-P11-120- OXX -1X-R2-1000-00000



PLANETARY GEARBOXES

SG 120

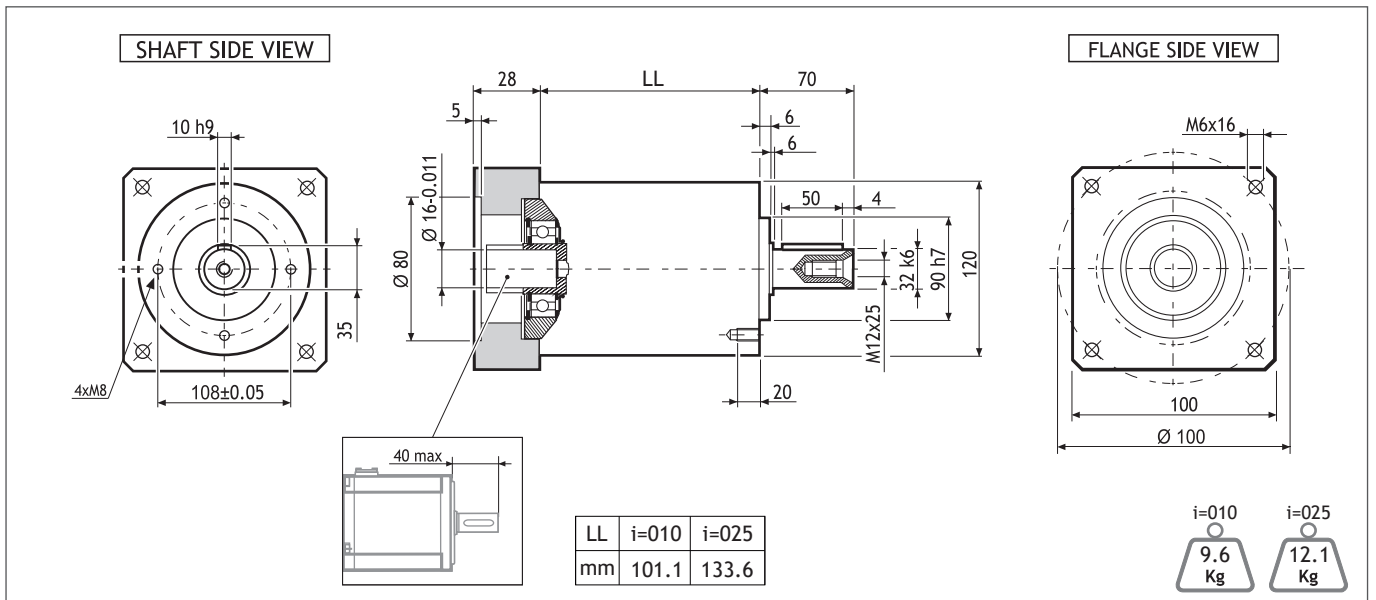
$\varphi=15'$

$\varphi=12'$

MADE IN ITALY

IP64

Dimensions (Units:mm)



MODEL	Rated output torque [Nm]	Maximum acceleration output torque [Nm]	Emergency step output torque [Nm]	Backlash [arcmin]	Nominal input speed [min ⁻¹]	Maximum momentary input speed [min ⁻¹]	Torsional stiffness [Nm/arcmin]	Maximum radial force applying on output shaft [N]	Maximum axial force applying on output shaft [N]	Gear efficiency [%]	Gear moment of inertia [Kg ^m ²]
SG-P11-120-010-12-R2-1000-00000	95	160	300	12'	3500	5000	25	3500	3000	97	0.49x10 ⁻⁴
SG-P11-120-025-15-R2-1000-00000	110	190	360	15'	3000	4500	22.5	3500	3000	94	0.71x10 ⁻⁴

Suggested motors



R2AAB8100 SERIES

MOUNTING OPERATION MODE: ■ Tightening torque M=11 Nm ■ Locking bolt M6 ■ R.T.A. Quality Control

ITALY
Corporate Headquarters

R.T.A.srl
Via E. Mattei 15, Fraz. Divisa - 27020 Marcignago (PV) ITALY
T +39.0382.929.855 | F +39.0382.929.150 | info@rta.it
www.rta.it

Local Branches

◦ R.T.A. Filiale Centro
Centro Direzionale Cavour
Via Cavour 2, 40055 Villanova di Castenaso (BO) ITALY
T +39.051.780141 | rtabo@rta.it

R.T.A. Filiale Nord-Est
Via D. Alighieri 4, 30034 Mira (VE) ITALY
T +39.041.5600332 | F +39.041.5600165 | rtane@rta.it

GERMANY

R.T.A Deutschland GmbH
Bublitzer Strasse 34, 40599 Düsseldorf GERMANY
T +49.211.749.668.60 | F +49.211.749.668.66 | info@rta-deutschland.de
www.rta-deutschland.de

INDIA

R.T.A. India Pvt
Teerth Business Center
3rd Floor, Unit No. 7, Block EL - 15, MIDC Bhosari
Pimpri-Chinchwad, Pune 411026 INDIA
T +91 942.250.744.5 | rtain@rta-india.in
www.rta-india.in



CATALOGUE
DIGITAL EDITION

