

COOLING FANS



COOLING FANS



INDEX

DC AXIAL FANS	418
ACDC AXIAL FANS	443
AC AXIAL FANS	445
ACCESSORIES	449

Key advantages



SANYO DENKI
San Ace
COOLING SYSTEMS

Exclusive Partnership with SANYO DENKI CO. since 1989, one of the main players in high quality cooling fans manufacturing in the world, with more than 2,500,000 fans/month.

- Japanese high quality and reliability, through automatized and robotized assembly line.
- Constantly evolving technologies ensuring excellent performances of San Ace products.
- Impressive products portfolio, with 5000+ models available from SANYO DENKI San Ace line-up.

R.T.A. added value: the service

- Dedicated warehouse with quick restore.
- Wide stock of models always available.
- Pre- and post-sale professional consulting and service.
- A team fully dedicated to San Ace products management and sales.

Main features

- Dual ball bearings.
- Voltage: **DC** | **AC** | **ACDC**
- Standard life expectancy: 60,000 hrs at 60°C.
- Standard operating temperature: -20°C to + 70°C.
- PWM control function, pulse, lock or low speed control sensors available.
- High performance even in harsh environments.
- Low power consumption and low noise.

● SANYO DENKI products line-up and solutions

Axial DC Fans Frame size from 36mm to 200mm.

Axial and centrifugal Splash Proof Fans Waterproof capability.

Long Life Fans Up to 180,000 hours of expected life at 60°C.

Counter Rotating Fans High airflow and high static pressure.

Centrifugal Fans and Blowers Air is blown in a centrifugal course.
High static pressure.

Reversible Flow Fans The wind directions can be switched.
Equivalent cooling performance can be obtained in both directions.

G-Proof Suitable for applications subject to high levels of G-Force or vibrations.

Wide Temperature Range Operating temperature range -40°C +85°C, with expected life 40,000 hrs at 85°C.

Oil-Proof Cooling Fans capable of operating in an oil-mist environment.

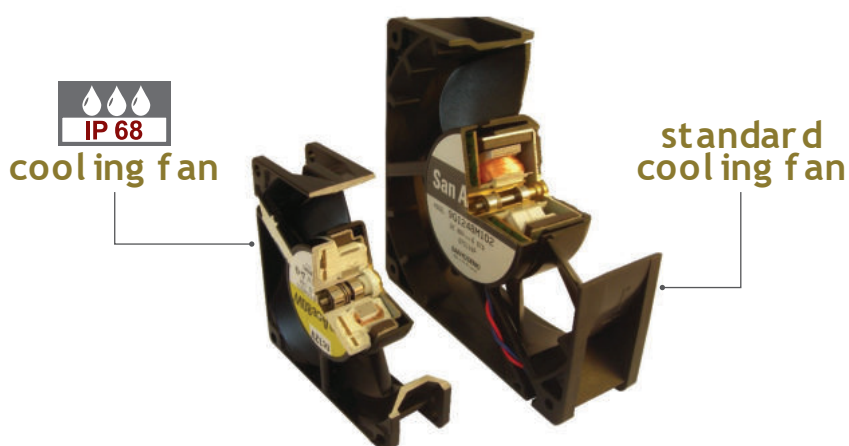
Air-Flow Tester A portable measuring device that enables you to easily measure the System Impedance and Operating Airflow of devices.

**CABLING
&
CONNECTORS**

*Customized
versions
available*

● IP68 versions: excellent water and dust protection

In order to obtain a real total water and dust protection, the windings and the printed circuit board are completely drowned into a resin, leaving only the cables out.



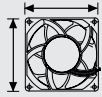
R.T.A. selection: 3 families, 25 models

5000+
MODELS
AVAILABLE FROM
SANYODENKI
San Ace
COOLING SYSTEMS

1 DC AXIAL FANS



Operating voltage 12VDC and 24 VDC



Frame Size

36
mm

40
mm

60
mm

80
mm

92
mm

120
mm

172
mm



Air Flow

0.18 m³/min

8.5 m³/min

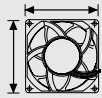


2 ACDC AXIAL FANS



ACDC fans operate by internally converting AC power into DC power, providing the superior performance of a DC fan with the flexibility of AC input.

Operating voltage range: from 100 VAC to 240 VAC



Frame Size

120
mm



Air Flow

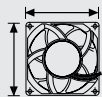
3.0 m³/min



3 AC AXIAL FANS



Operating Voltage: 230 VAC



Frame Size

80
mm

120
mm

172
mm



Air Flow

0.9 m³/min

5.3 m³/min



Table of contents

COOLING FANS

	VERSION	RATED VOLTAGE (V)	AIR FLOW (M ³ /MIN)	STATIC PRESSURE (PA)	NOISE-SPL [DB(A)]	DIMENSIONS (MM)	PAGE
DC AXIAL FANS							
36 mm FRAME							
9GV3612G301	STANDARD	12 VDC-0.34 A	0.4	275	52	36x36x28	419
40 mm FRAME							
109P0424H702	STANDARD	24 VDC-0.08 A	0.18	75.5	28	40x40x15	420
109P0412H602	STANDARD	12 VDC-0.11 A	0.225	65.7	33	40x40x20	421
109P0424H602	STANDARD	24 VDC-0.07 A	0.233	69.6	35	40x40x20	422
109P0424J3023	HIGH SPEED	24 VDC-0.18 A	0.46	210	44	40x40x28	423
60 mm FRAME							
109P0624H702	STANDARD	24 VDC-0.06 A	0.4	38.2	32	60x60x15	424
9A0612H402	STANDARD	12 VDC-0.11 A	0.53	40.2	28	60x60x25	425
9A0624H402	STANDARD	24 VDC-0.06 A	0.53	40.2	28	60x60x25	426
109R0624J402	HIGH SPEED	24 VDC-0.24 A	1.06	155	44	60x60x25	427
9WP0612H402	IP 68	12 VDC-0.11 A	0.53	40.2	28	60x60x25	428
9WP0624H402	IP 68	24 VDC-0.06 A	0.53	40.2	28	60x60x25	429
80 mm FRAME							
9A0812H402	STANDARD	12 VDC-0.13 A	1.03	35.3	29	80x80x25	430
9A0824H402	STANDARD	24 VDC-0.07 A	1.03	35.3	29	80x80x25	431
9A0824G402	HIGH SPEED	24 VDC-0.21 A	1.5	80.3	40	80x80x25	432
9G0824G102	HIGH SPEED	24 VDC-0.56 A	2.55	211	51	80x80x38	433
92 mm FRAME							
9A0912H402	STANDARD	12 VDC-0.21 A	1.45	44	33	92x92x25	434
9A0924H402	STANDARD	24 VDC-0.1 A	1.45	44	33	92x92x25	435
9A0912G4021	HIGH SPEED	12 VDC-0.39 A	1.76	66.5	43	92x92x25	436
120 mm FRAME							
9G1224H402	STANDARD	24 VDC-0.17 A	2.5	64	40	120x120x25	437
9G1224H102	HIGH SPEED	24 VDC-0.5 A	2.8	99	49	120x120x38	438
9G1224G102	HIGH SPEED	24 VDC-0.5 A	3.88	135	49	120x120x38	439
9GL1224J102	LONG LIFE HIGH SPEED	24 VDC-1 A	5.1	230	57	120x120x38	440
172 mm FRAME							
109E5724H502	HIGH SPEED	24 VDC-1.3 A	6.4	137.2	52	172x150x51	441
109E5724K501	HIGH SPEED	24 VDC-1.3 A	8.5	243	60	172x150x51	442
ACDC AXIAL FANS							
120 mm FRAME							
9AD1201H12	ACDC	100 to 240 VAC - 0.08 A	3	84	42	120x120x38	444
AC AXIAL FANS							
80 mm FRAME							
109-154	AC	230 VAC - 0.06 A	1.05	44.1	39	80x80x38	446
120 mm FRAME							
109-S072 UL	AC	230 VAC - 0.11 A	2.9	68.7	45	120x120x38	447
172 mm FRAME Ø							
109-313	AC	230 VAC- 0.14 A	6.4	196	51	Ø 172x51	448

Table of contents

ACCESSORIES

	PAGE
METAL FAN GUARDS	449
PLASTIC FAN FILTERS	449

COOLING FANS
DC AXIAL FANS



SANYODENKI
San Ace

9GV3612G301

36x36x28 mm

12 V

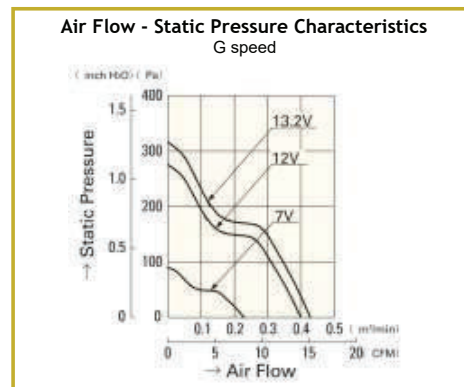
GV type



General Specifications

- **Material:**
 - Frame: Plastics (Flammability: UL 94V-0)
 - Impeller: Plastics (Flammability: UL 94V-1)
- **Expected Life:** 40,000 h (L10:Survival rate: 90% at 60 °C, rated voltage, and continuously run in a free air state)
- **Tach output**
- **Lead Wire:** ⊕ red ⊖ black Sensor yellow
- **Storage Temperature:** -20 °C to +70 °C (Non-condensing)
- **Ball bearings**
- **International Standards:** UL/CSA, TÜV, RoHS

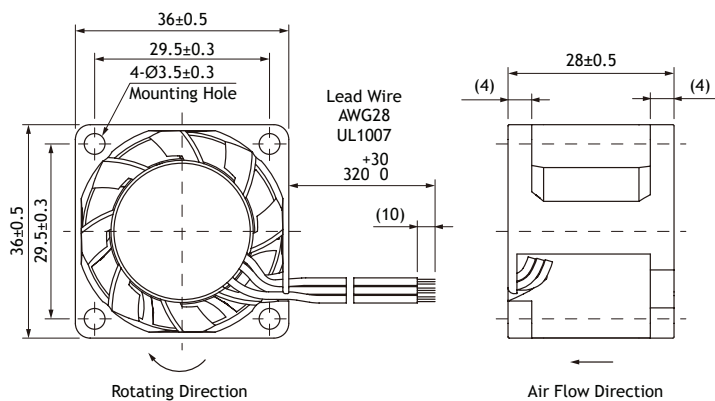
Air Flow - Static Pressure Characteristics



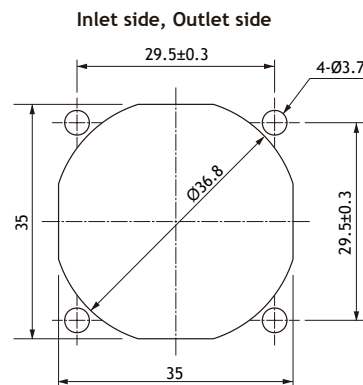
Specifications

Model No.	Rated Voltage [V]	Operating Voltage Range [V]	Rated Current [A]	Rated Input [W]	Rated Speed [min ⁻¹]	Max. Air Flow [m ³ /min]	Max. Air Flow [CFM]	Max. Static Pressure [Pa]	Max. Static Pressure [inchH ₂ O]	SPL [dB(A)]	Operating Temperature [°C]	Expected Life [h]
9GV3612G301	12	7.0 to 13.2	0.34	4.08	14,000	0.40	14.1	275	1.104	52.0	-20 to +60	40,000/60°

Dimensions (Unit:mm)



Reference dimension of mounting holes and vent opening (Unit: mm)



36 mm sq.



- Model always available on stock at R.T.A.
- Also available for online purchasing at www.rta-store.com

40x40x15 mm

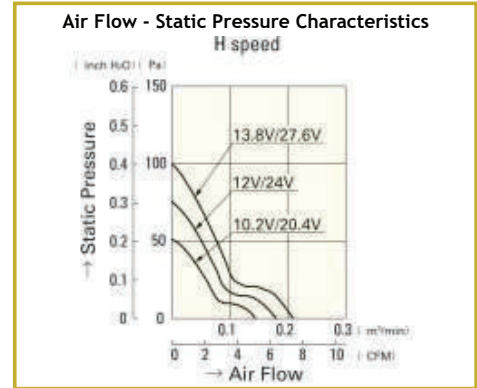
24 V



General Specifications

- **Material:**
 - Frame: Plastics (Flammability: UL 94V-0)
 - Impeller: Plastics (Flammability: UL 94V-1)
- **Expected Life:** 60,000 h (L10:Survival rate: 90% at 60 °C, rated voltage, and continuously run in a free air state)
- **Lead Wire:** ⊕ red ⊖ black or blue
- **Storage Temperature:** -30 °C to +70 °C (Non-condensing)
- **Ball bearings**
- **International Standards:** UL/CSA, TÜV, RoHS

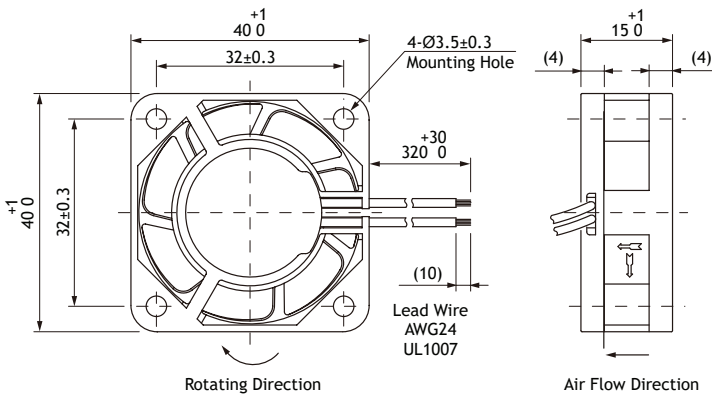
Air Flow - Static Pressure Characteristics



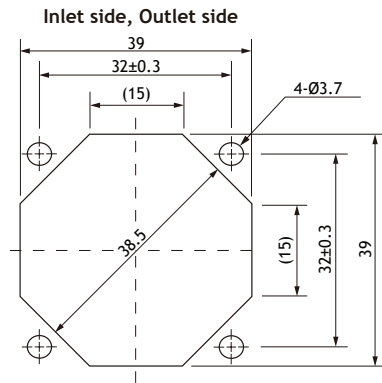
Specifications

Model No.	Rated Voltage [V]	Operating Voltage Range [V]	Rated Current [A]	Rated Input [W]	Rated Speed [min ⁻¹]	Max. Air Flow [m ³ /min]	Max. Air Flow [CFM]	Max. Static Pressure [Pa]	Max. Static Pressure [inchH ₂ O]	SPL [dB(A)]	Operating Temperature [°C]	Expected Life [h]
109P0424H702	24	20.4 to 27.6	0.08	1.92	7,700	0.18	6.4	75.5	0.303	28	-20 to +70	60,000/60°

Dimensions (Unit:mm)



Reference dimension of mounting holes and vent opening (Unit: mm)



40 mm sq.



- Model always available on stock at R.T.A.
- Also available for online purchasing at www.rta-store.com

SANYO DENKI
San Ace

109P0412H602

40x40x20 mm

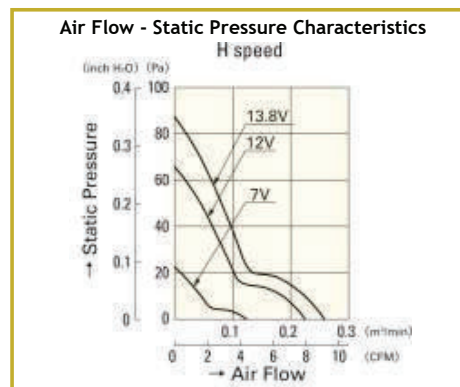
12 V



General Specifications

- **Material:**
 - Frame: Plastics (Flammability: UL 94V-0)
 - Impeller: Plastics (Flammability: UL 94V-1)
- **Expected Life:** 60,000 h (L10:Survival rate: 90% at 60 °C, rated voltage, and continuously run in a free air state)
- **Lead Wire:** ⊕ red ⊖ black or blue
- **Storage Temperature:** -30 °C to +70 °C (Non-condensing)
- **Ball bearings**
- **International Standards:** UL/CSA, TÜV, RoHS

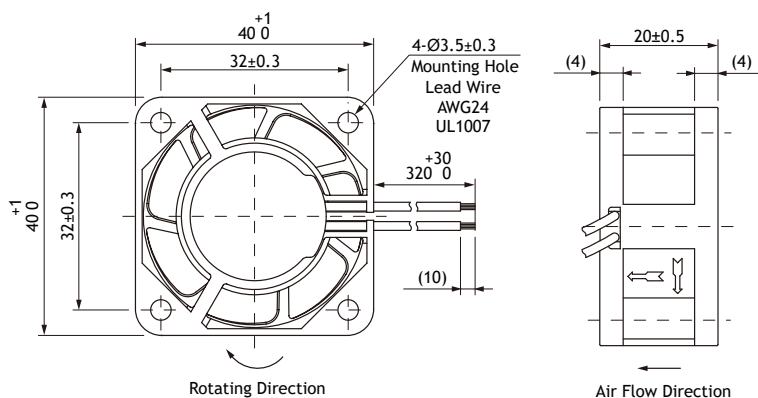
Air Flow - Static Pressure Characteristics



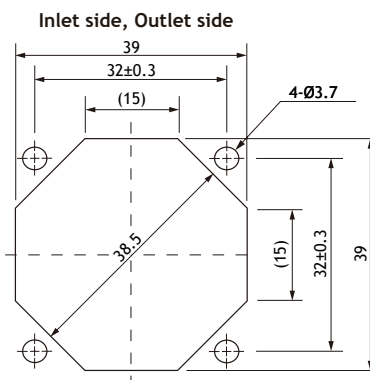
Specifications

Model No.	Rated Voltage [V]	Operating Voltage Range [V]	Rated Current [A]	Rated Input [W]	Rated Speed [min ⁻¹]	Max. Air Flow [m ³ /min]	Max. Air Flow [CFM]	Max. Static Pressure [Pa]	Max. Static Pressure [inchH ₂ O]	SPL [dB(A)]	Operating Temperature [°C]	Expected Life [h]
109P0412H602	12	7 to 13.8	0.11	1.32	8,000	0.225	8.0	65.7	0.264	33	-20 to +70	60,000/60°

Dimensions (Unit:mm)



Reference dimension of mounting holes and vent opening (Unit: mm)



40 mm sq.



- Model always available on stock at R.T.A.
- Also available for online purchasing at www.rta-store.com

40x40x20 mm

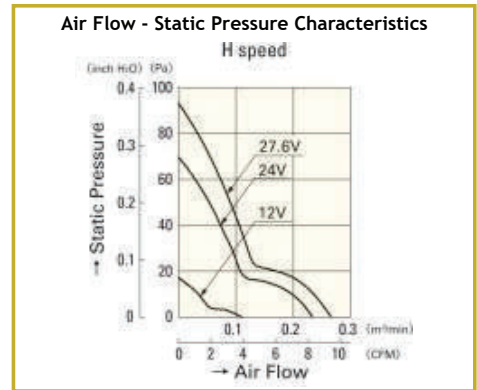
24 V



General Specifications

- **Material:**
 - Frame: Plastics (Flammability: UL 94V-0)
 - Impeller: Plastics (Flammability: UL 94V-1)
- **Expected Life:** 60,000 h (L10:Survival rate: 90% at 60 °C, rated voltage, and continuously run in a free air state)
- **Lead Wire:** ⊕ red ⊖ black or blue
- **Storage Temperature:** -30 °C to +70 °C (Non-condensing)
- **Ball bearings**
- **International Standards:** UL/CSA, TÜV, RoHS

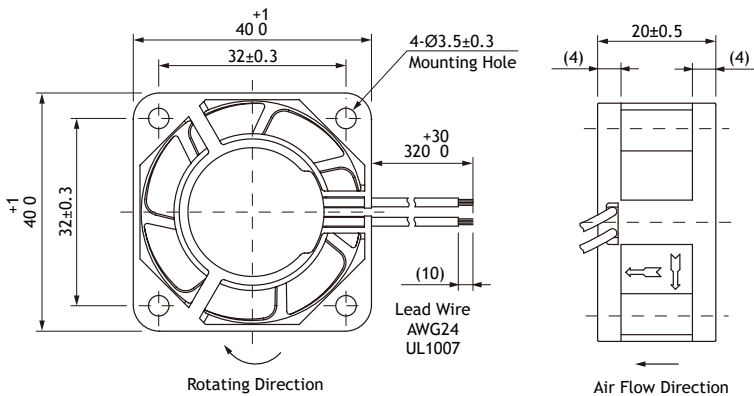
Air Flow - Static Pressure Characteristics



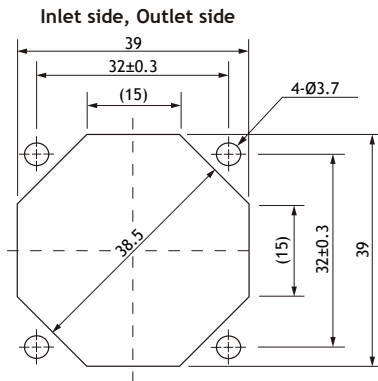
Specifications

Model No.	Rated Voltage [V]	Operating Voltage Range [V]	Rated Current [A]	Rated Input [W]	Rated Speed [min ⁻¹]	Max. Air Flow [m ³ /min]	Max. Air Flow [CFM]	Max. Static Pressure [Pa]	Max. Static Pressure [inchH ₂ O]	SPL [dB(A)]	Operating Temperature [°C]	Expected Life [h]
109P0424H602	24	12 to 27.6	0.07	1.68	8,300	0.233	8.2	69.6	0.280	35	-20 to +70	60,000/60°

Dimensions (Unit:mm)



Reference dimension of mounting holes and vent opening (Unit: mm)



40 mm sq.



- Model always available on stock at R.T.A.
- Also available for online purchasing at www.rta-store.com

SANYO DENKI
San Ace

109P0424J3023

40x40x28 mm

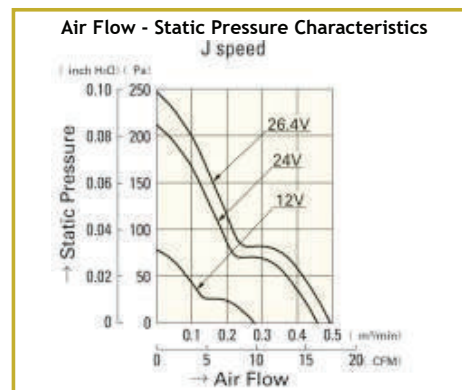
24 V



General Specifications

- **Material:**
 - Frame: Plastics (Flammability: UL 94V-0)
 - Impeller: Plastics (Flammability: UL 94V-1)
- **Expected Life:** 40,000 h (L10:Survival rate: 90% at 60 °C, rated voltage, and continuously run in a free air state)
- **Lead Wire:** ⊕ red ⊖ black or blue
- **Storage Temperature:** -30 °C to +70 °C (Non-condensing)
- **Ball bearings**
- **International Standards:** UL/CSA, TÜV, RoHS

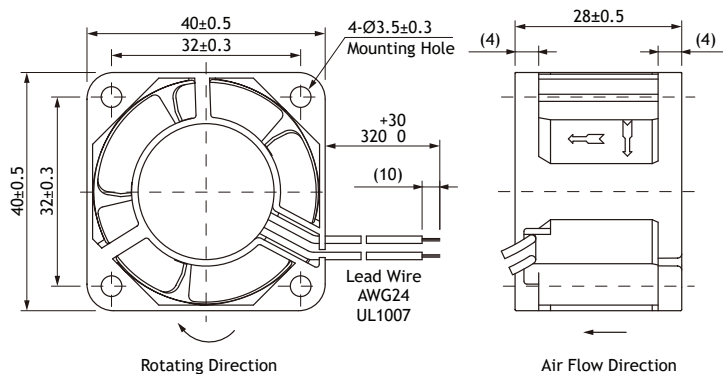
Air Flow - Static Pressure Characteristics



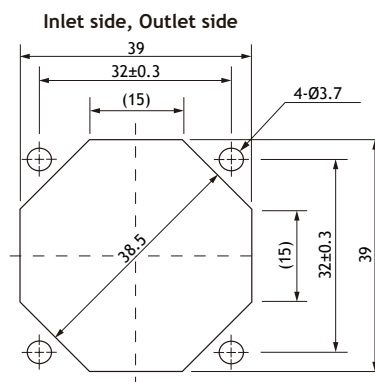
Specifications

Model No.	Rated Voltage [V]	Operating Voltage Range [V]	Rated Current [A]	Rated Input [W]	Rated Speed [min ⁻¹]	Max. Air Flow [m ³ /min]	Max. Air Flow [CFM]	Max. Static Pressure [Pa]	Max. Static Pressure [inchH ₂ O]	SPL [dB(A)]	Operating Temperature [°C]	Expected Life [h]
109P0424J3023	24	12 to 26.4	0.18	4.32	12,500	0.46	16.2	210	0.843	44	-20 to +60	40,000/60°

Dimensions (Unit:mm)



Reference dimension of mounting holes and vent opening (Unit: mm)



40 mm sq.



- Model always available on stock at R.T.A.
- Also available for online purchasing at www.rta-store.com

60x60x15 mm

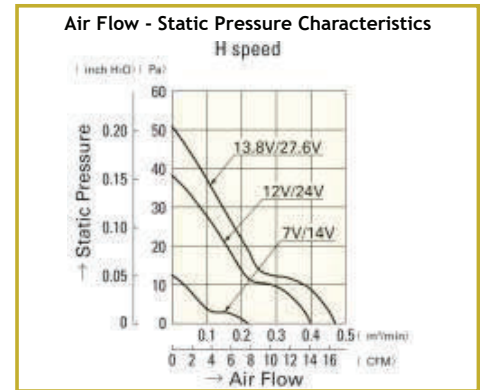
24 V



General Specifications

- **Material:**
 - Frame: Plastics (Flammability: UL 94V-0)
 - Impeller: Plastics (Flammability: UL 94V-1)
- **Expected Life:** 60,000 h (L10:Survival rate: 90% at 60 °C, rated voltage, and continuously run in a free air state)
- **Lead Wire:** ⊕ red ⊖ black or blue
- **Storage Temperature:** -30 °C to +70 °C (Non-condensing)
- **Ball bearings**
- **International Standards:** UL/CSA, TÜV, RoHS

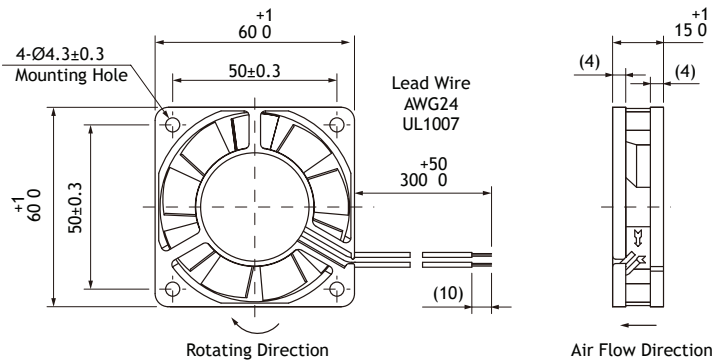
Air Flow - Static Pressure Characteristics



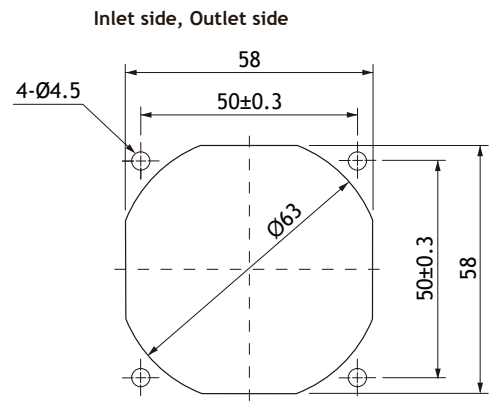
Specifications

Model No.	Rated Voltage [V]	Operating Voltage Range [V]	Rated Current [A]	Rated Input [W]	Rated Speed [min ⁻¹]	Max. Air Flow [m ³ /min]	Max. Air Flow [CFM]	Max. Static Pressure [Pa]	Max. Static Pressure [inchH ₂ O]	SPL [dB(A)]	Operating Temperature [°C]	Expected Life [h]
109P0624H702	24	14 to 27.6	0.06	1.44	4,100	0.40	14.1	38.2	0.153	32	-20 to +70	60,000/60°

Dimensions (Unit:mm)



Reference dimension of mounting holes and vent opening (Unit: mm)



60 mm sq.



- Model always available on stock at R.T.A.
- Also available for online purchasing at www.rta-store.com

SANYO DENKI
San Ace

9A0612H402

60x60x25 mm

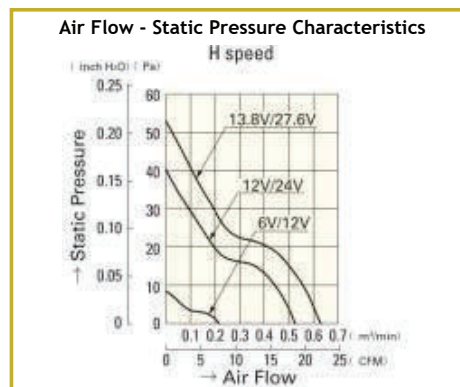
12 V



General Specifications

- **Material:**
 - Frame: Plastics (Flammability: UL 94V-0)
 - Impeller: Plastics (Flammability: UL 94V-1)
- **Expected Life:** 40,000 h (L10:Survival rate: 90% at 60 °C, rated voltage, and continuously run in a free air state)
- **Lead Wire:** ⊕ red ⊖ black or blue
- **Storage Temperature:** -30 °C to +70 °C (Non-condensing)
- **Ball bearings**
- **International Standards:** UL/CSA, TÜV, RoHS

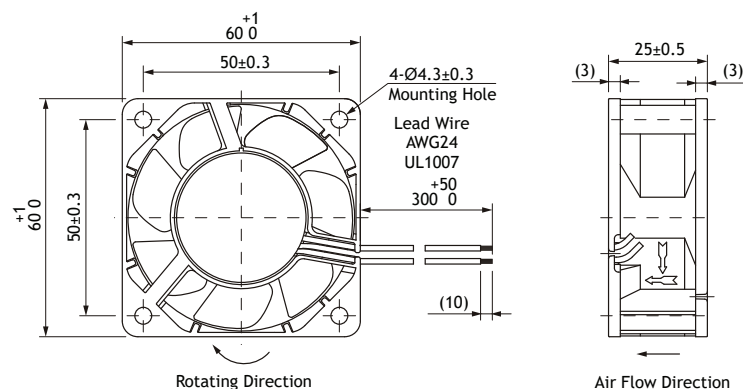
Air Flow - Static Pressure Characteristics



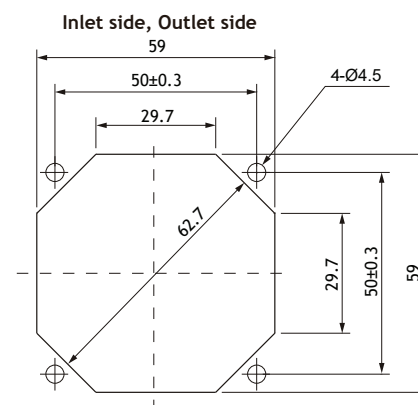
Specifications

Model No.	Rated Voltage [V]	Operating Voltage Range [V]	Rated Current [A]	Rated Input [W]	Rated Speed [min ⁻¹]	Max. Air Flow [m³/min]	Max. Air Flow [CFM]	Max. Static Pressure [Pa]	Max. Static Pressure [inchH ₂ O]	SPL [dB(A)]	Operating Temperature [°C]	Expected Life [h]
9A0612H402	12	6 to 13.8	0.11	1.32	3,800	0.53	18.7	40.2	0.161	28	-20 to +70	40,000/60°

Dimensions (Unit:mm)



Reference dimension of mounting holes and vent opening (Unit: mm)



60 mm sq.



- Model always available on stock at R.T.A.
- Also available for online purchasing at www.rta-store.com

60x60x25 mm

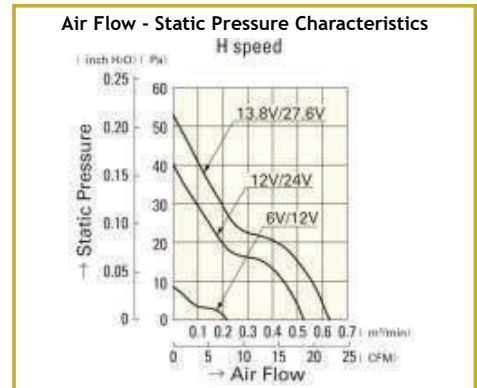
24 V



General Specifications

- **Material:**
 - Frame: Plastics (Flammability: UL 94V-0)
 - Impeller: Plastics (Flammability: UL 94V-1)
- **Expected Life:** 40,000 h (L10:Survival rate: 90% at 60 °C, rated voltage, and continuously run in a free air state)
- **Lead Wire:** ⊕ red ⊖ black or blue
- **Storage Temperature:** -30 °C to +70 °C (Non-condensing)
- **Ball bearings**
- **International Standards:** UL/CSA, TÜV, RoHS

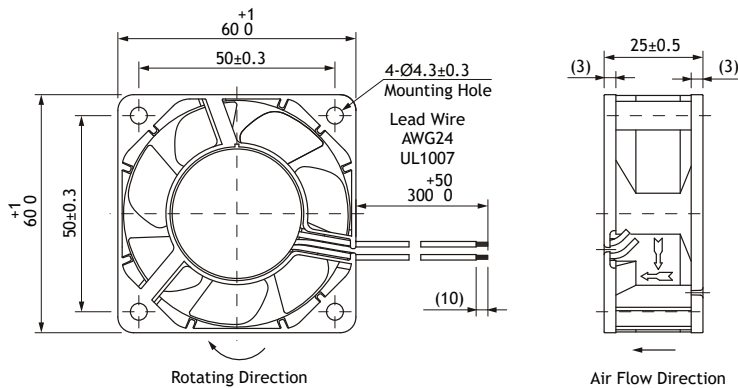
Air Flow - Static Pressure Characteristics



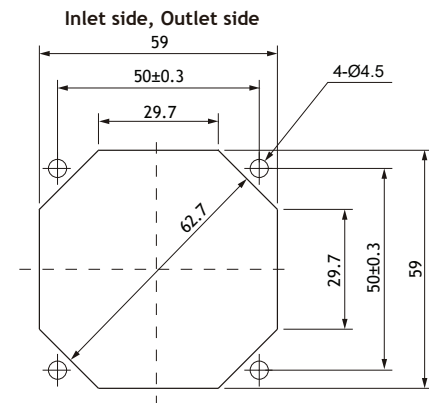
Specifications

Model No.	Rated Voltage [V]	Operating Voltage Range [V]	Rated Current [A]	Rated Input [W]	Rated Speed [min ⁻¹]	Max. Air Flow [m ³ /min]	Max. Air Flow [CFM]	Max. Static Pressure [Pa]	Max. Static Pressure [inchH ₂ O]	SPL [dB(A)]	Operating Temperature [°C]	Expected Life [h]
9A0624H402	24	12 to 27.6	0.06	1.44	3,800	0.53	18.7	40.2	0.161	28	-20 to +70	40,000/60°

Dimensions (Unit:mm)



Reference dimension of mounting holes and vent opening (Unit: mm)



60 mm sq.



- Model always available on stock at R.T.A.
- Also available for online purchasing at www.rta-store.com

SANYO DENKI
San Ace

109R0624J402

60x60x25 mm

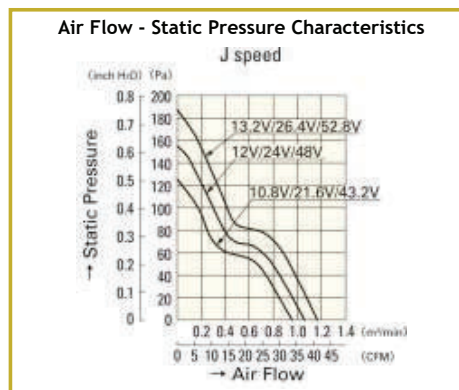
24 V



General Specifications

- **Material:**
- Frame: Plastics (Flammability: UL 94V-0)
- Impeller: Plastics (Flammability: UL 94V-1)
- **Expected Life:** 40,000 h (L10:Survival rate: 90% at 60 °C, rated voltage, and continuously run in a free air state)
- **Lead Wire:** ⊕ red ⊖ black or blue
- **Storage Temperature:** -30 °C to +70 °C (Non-condensing)
- **Ball bearings**
- **International Standards:** UL/CSA, TÜV, RoHS

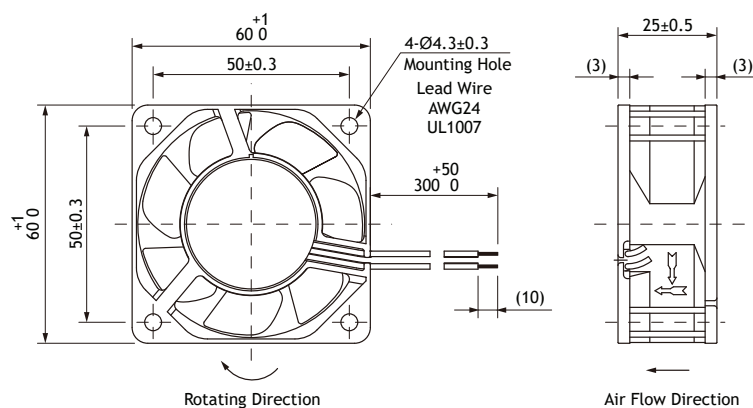
Air Flow - Static Pressure Characteristics



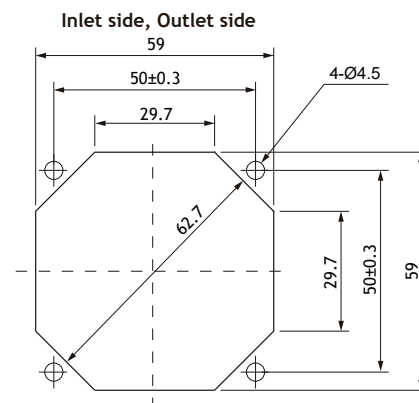
Specifications

Model No.	Rated Voltage [V]	Operating Voltage Range [V]	Rated Current [A]	Rated Input [W]	Rated Speed [min ⁻¹]	Max. Air Flow [m ³ /min]	Max. Air Flow [CFM]	Max. Static Pressure [Pa]	Max. Static Pressure [inchH ₂ O]	SPL [dB(A)]	Operating Temperature [°C]	Expected Life [h]
109R0624J402	24	21.6 to 26.4	0.24	5.76	7,600	1.06	37.1	155.0	0.622	44	-20 to +60	40,000/60°

Dimensions (Unit:mm)



Reference dimension of mounting holes and vent opening (Unit: mm)



60 mm sq.



- Model always available on stock at R.T.A.
- Also available for online purchasing at www.rta-store.com

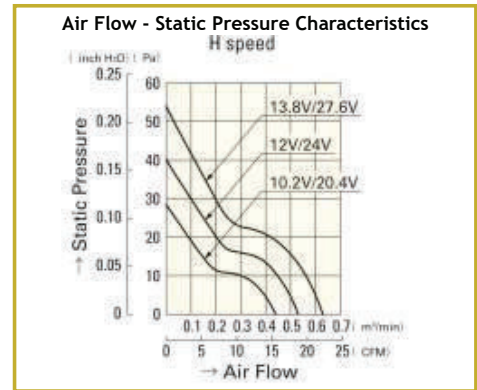
60x60x25 mm **12 V | IP 68**



General Specifications

- **Material:**
 - Frame: Plastics (Flammability: UL 94V-0)
 - Impeller: Plastics (Flammability: UL 94V-1)
- **Expected Life:** 60,000 h (Indoor, L10:Survival rate: 90% at 60°C, rated voltage, and continuously run in a free air state)
- **Lead Wire:** ⊕ red ⊖ black
- **Storage Temperature:** -30°C to +70°C (Non-condensing)
- **Ball bearings**
- **International Standards:** UL/CSA, TÜV, RoHS

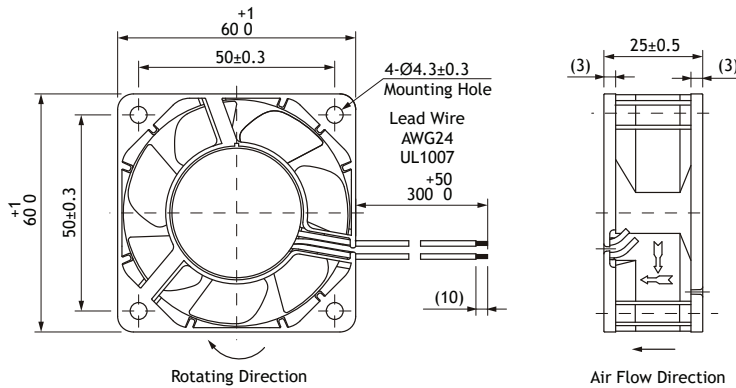
Air Flow - Static Pressure Characteristics



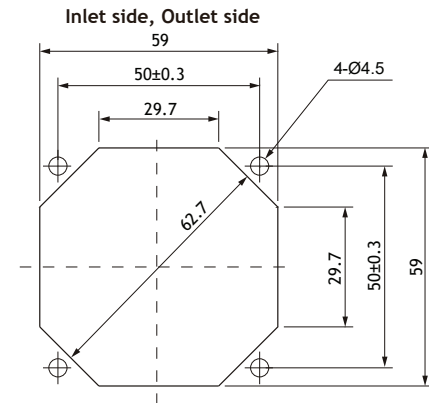
Specifications

Model No.	Rated Voltage [V]	Operating Voltage Range [V]	Rated Current [A]	Rated Input [W]	Rated Speed [min ⁻¹]	Max. Air Flow [m ³ /min]	Max. Air Flow [CFM]	Max. Static Pressure [Pa]	Max. Static Pressure [inchH ₂ O]	SPL [dB(A)]	Operating Temperature [°C]	Expected Life [h]
9WP0612H402	12	10.2 to 13.8	0.11	1.32	3,800	0.53	18.7	40.2	0.161	28	-20 to +70	60,000/60°

Dimensions (Unit:mm)



Reference dimension of mounting holes and vent opening (Unit: mm)



60 mm sq.



- Model always available on stock at R.T.A.
- Also available for online purchasing at www.rta-store.com

SANYO DENKI
San Ace

9WP0624H402

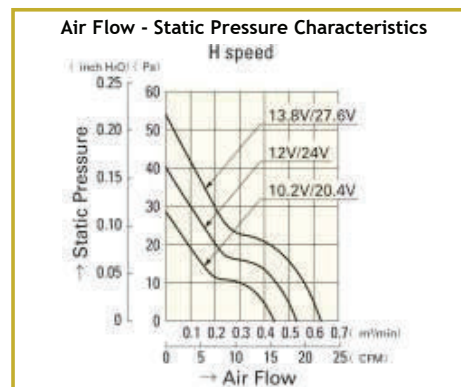
60x60x25 mm **24 V | IP 68**



General Specifications

- **Material:**
 - Frame: Plastics (Flammability: UL 94V-0)
 - Impeller: Plastics (Flammability: UL 94V-1)
- **Expected Life:** 60,000 h (Indoor, L10:Survival rate: 90% at 60 °C, rated voltage, and continuously run in a free air state)
- **Lead Wire:** ⊕ red ⊖ black
- **Storage Temperature:** -30 °C to +70 °C (Non-condensing)
- **Ball bearings**
- **International Standards:** UL/CSA, TÜV, RoHS

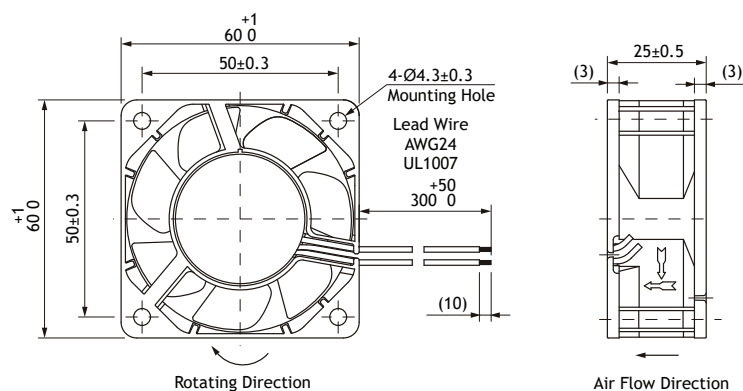
Air Flow - Static Pressure Characteristics



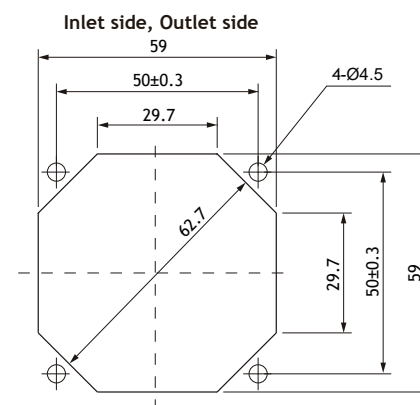
Specifications

Model No.	Rated Voltage [V]	Operating Voltage Range [V]	Rated Current [A]	Rated Input [W]	Rated Speed [min ⁻¹]	Max. Air Flow [m ³ /min]	Max. Air Flow [CFM]	Max. Static Pressure [Pa]	Max. Static Pressure [inchH ₂ O]	SPL [dB(A)]	Operating Temperature [°C]	Expected Life [h]
9WP0624H402	24	20.4 to 27.6	0.06	1.44	3,800	0.53	18.7	40.2	0.161	28	-20 to +70	60,000/60°

Dimensions (Unit:mm)



Reference dimension of mounting holes and vent opening (Unit: mm)



60 mm sq.



- Model always available on stock at R.T.A.
- Also available for online purchasing at www.rta-store.com

80x80x25 mm

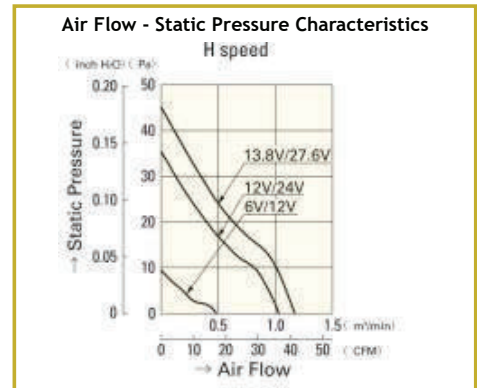
12 V



General Specifications

- **Material:**
- Frame: Plastics (Flammability: UL 94V-0)
- Impeller: Plastics (Flammability: UL 94V-1)
- **Expected Life:** 40,000 h (L10:Survival rate: 90% at 60 °C, rated voltage, and continuously run in a free air state)
- **Lead Wire:** ⊕ red ⊖ black or blue
- **Storage Temperature:** -30 °C to +70 °C (Non-condensing)
- **Ball bearings**
- **International Standards:** UL/CSA, TÜV, RoHS

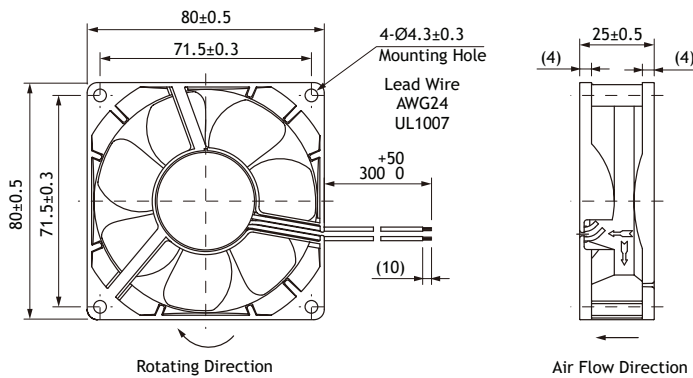
Air Flow - Static Pressure Characteristics



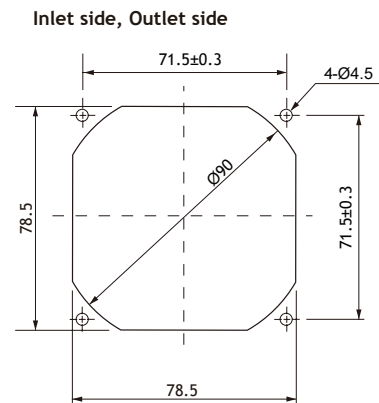
Specifications

Model No.	Rated Voltage [V]	Operating Voltage Range [V]	Rated Current [A]	Rated Input [W]	Rated Speed [min ⁻¹]	Max. Air Flow [m ³ /min]	Max. Air Flow [CFM]	Max. Static Pressure [Pa]	Max. Static Pressure [inchH ₂ O]	SPL [dB(A)]	Operating Temperature [°C]	Expected Life [h]
9A0812H402	12	6 to 13.8	0.13	1.56	2,900	1.03	36.4	35.3	0.142	29	-20 to +70	40,000/60°

Dimensions (Unit:mm)



Reference dimension of mounting holes and vent opening (Unit: mm)



80 mm sq.



- Model always available on stock at R.T.A.
- Also available for online purchasing at www.rta-store.com

SANYO DENKI
San Ace

9A0824H402

80x80x25 mm

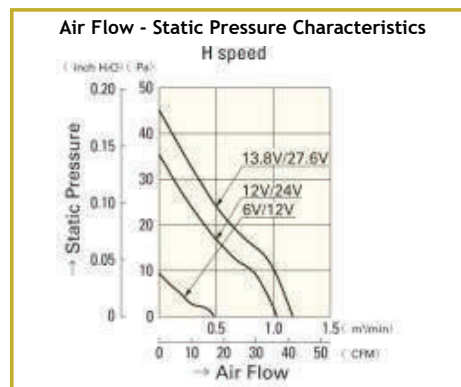
24 V



General Specifications

- **Material:**
 - Frame: Plastics (Flammability: UL 94V-0)
 - Impeller: Plastics (Flammability: UL 94V-1)
- **Expected Life:** 40,000 h (L10:Survival rate: 90% at 60 °C, rated voltage, and continuously run in a free air state)
- **Lead Wire:** ⊕ red ⊖ black or blue
- **Storage Temperature:** -30 °C to +70 °C (Non-condensing)
- **Ball bearings**
- **International Standards:** UL/CSA, TÜV, RoHS

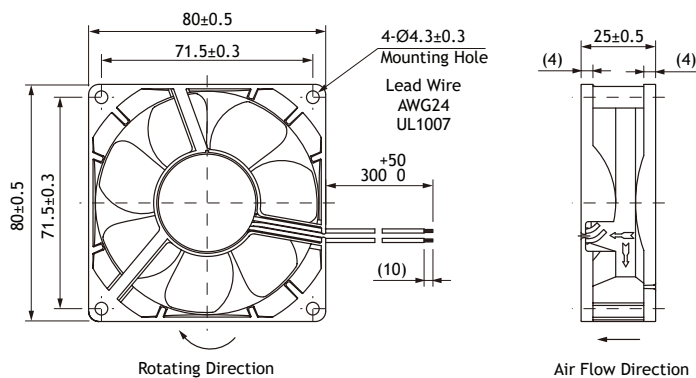
Air Flow - Static Pressure Characteristics



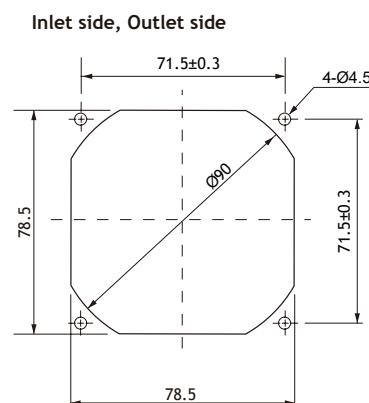
Specifications

Model No.	Rated Voltage [V]	Operating Voltage Range [V]	Rated Current [A]	Rated Input [W]	Rated Speed [min ⁻¹]	Max. Air Flow [m ³ /min]	Max. Air Flow [CFM]	Max. Static Pressure [Pa]	Max. Static Pressure [inchH ₂ O]	SPL [dB(A)]	Operating Temperature [°C]	Expected Life [h]
9A0824H402	24	12 to 27.6	0.07	1.68	2,900	1.03	36.4	35.3	0.142	29	-20 to +70	40,000/60°

Dimensions (Unit:mm)



Reference dimension of mounting holes and vent opening (Unit: mm)



80 mm sq.



- Model always available on stock at R.T.A.
- Also available for online purchasing at www.rta-store.com

80x80x25 mm

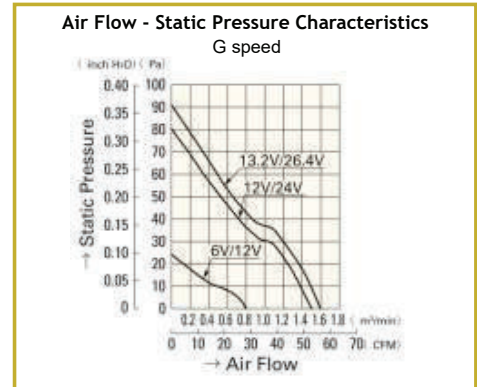
24 V



General Specifications

- **Material:**
 - Frame: Plastics (Flammability: UL 94V-0)
 - Impeller: Plastics (Flammability: UL 94V-1)
- **Expected Life:** 30,000 h (L10:Survival rate: 90% at 60 °C, rated voltage, and continuously run in a free air state)
- **Lead Wire:** ⊕ red ⊖ black or blue
- **Storage Temperature:** -30 °C to +70 °C (Non-condensing)
- **Ball bearings**
- **International Standards:** UL/CSA, TÜV, RoHS

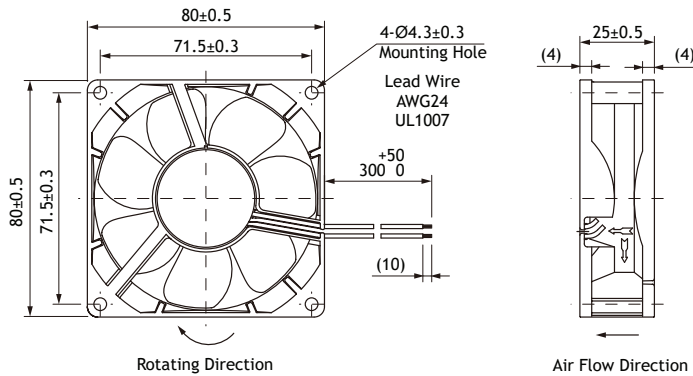
Air Flow - Static Pressure Characteristics



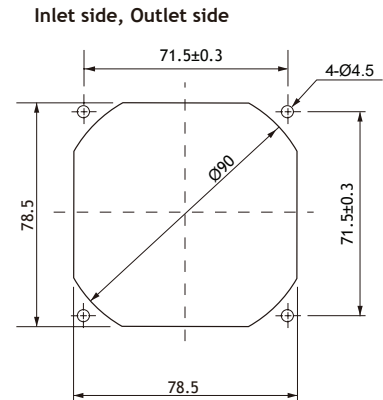
Specifications

Model No.	Rated Voltage [V]	Operating Voltage Range [V]	Rated Current [A]	Rated Input [W]	Rated Speed [min ⁻¹]	Max. Air Flow [m ³ /min]	Max. Air Flow [CFM]	Max. Static Pressure [Pa]	Max. Static Pressure [inchH ₂ O]	SPL [dB(A)]	Operating Temperature [°C]	Expected Life [h]
9A0824G402	24	12 to 26.4	0.21	5.04	4,500	1.5	53.0	80.3	0.323	40	-20 to +60	30,000/60°

Dimensions (Unit:mm)



Reference dimension of mounting holes and vent opening (Unit: mm)



80 mm sq.



- Model always available on stock at R.T.A.
- Also available for online purchasing at www.rta-store.com

80x80x38 mm

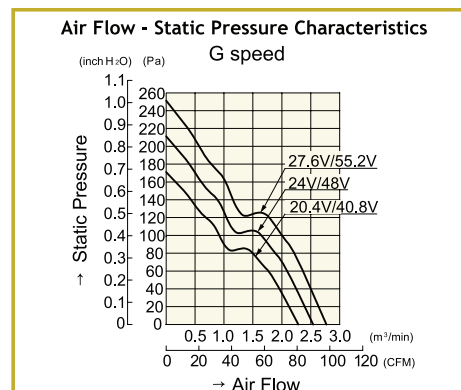
24 V



General Specifications

- **Material:**
 - Frame: Plastics (Flammability: UL 94V-0)
 - Impeller: Plastics (Flammability: UL 94V-1)
- **Expected Life:** 40,000 h (L10:Survival rate: 90% at 60 °C, rated voltage, and continuously run in a free air state)
- **Lead Wire:** ⊕ red ⊖ black
- **Storage Temperature:** -30 °C to +70 °C (Non-condensing)
- **Ball bearings**
- **International Standards:** UL/CSA, TÜV, RoHS

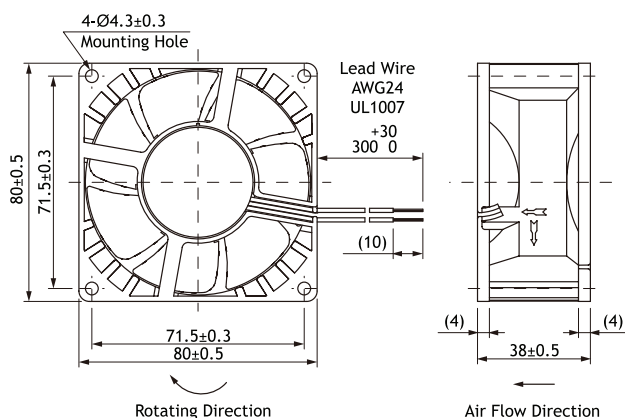
Air Flow - Static Pressure Characteristics



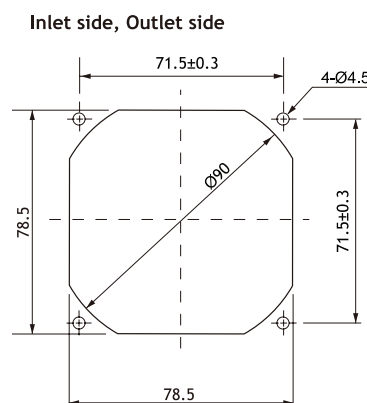
Specifications

Model No.	Rated Voltage [V]	Operating Voltage Range [V]	Rated Current [A]	Rated Input [W]	Rated Speed [min ⁻¹]	Max. Air Flow [m ³ /min] [CFM]	Max. Static Pressure [Pa] [inchH ₂ O]	SPL [dB(A)]	Operating Temperature [°C]	Expected Life [h]
9G0824G102	24	20.4 to 27.6	0.56	13.4	6,300	2.55 90	211 0.847	51	-20 to +70	30,000/60*

Dimensions (Unit:mm)



Reference dimension of mounting holes and vent opening (Unit: mm)



80 mm sq.



- Model always available on stock at R.T.A.
- Also available for online purchasing at www.rta-store.com

92x92x25 mm

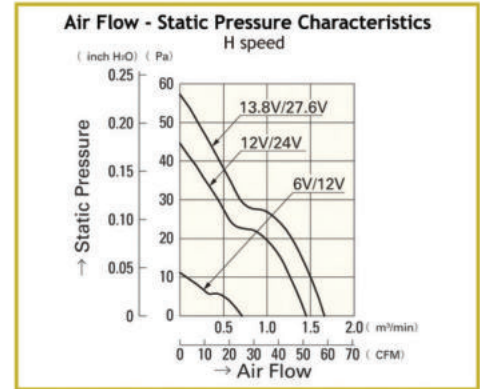
12 V



General Specifications

- Material:
 - Frame: Plastics (Flammability: UL 94V-0)
 - Impeller: Plastics (Flammability: UL 94V-1)
- Expected Life: 40,000 h (L10:Survival rate: 90% at 60 °C, rated voltage, and continuously run in a free air state)
- Lead Wire: ⊕ red ⊖ black or blue
- Storage Temperature: -30 °C to +70 °C (Non-condensing)
- Ball bearings
- International Standards: UL/CSA, TÜV, RoHS

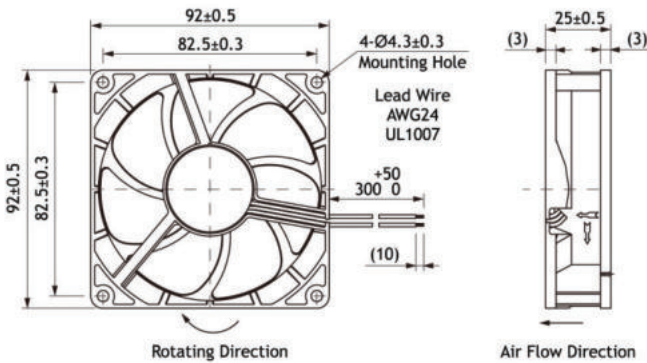
Air Flow - Static Pressure Characteristics



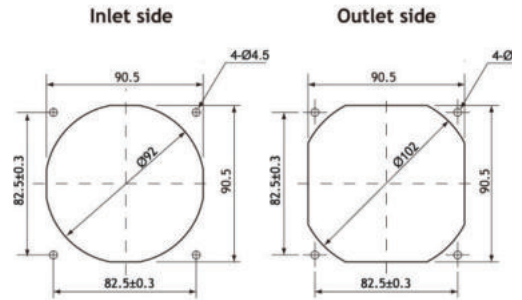
Specifications

Model No.	Rated Voltage [V]	Operating Voltage Range [V]	Rated Current [A]	Rated Input [W]	Rated Speed [min ⁻¹]	Max. Air Flow [m ³ /min]	Max. Air Flow [CFM]	Max. Static Pressure [Pa]	Max. Static Pressure [inchH ₂ O]	SPL [dB(A)]	Operating Temperature [°C]	Expected Life [h]
9A0912H402	12	6 to 13.8	0.21	2.52	3,150	1.45	51.2	44	0.177	33	-20 to +70	40,000/60*

Dimensions (Unit:mm)



Reference dimension of mounting holes and vent opening (Unit: mm)



92 mm sq.



- Model always available on stock at R.T.A.
- Also available for online purchasing at www.rta-store.com

SANYO DENKI
San Ace

9A0924H402

92x92x25 mm

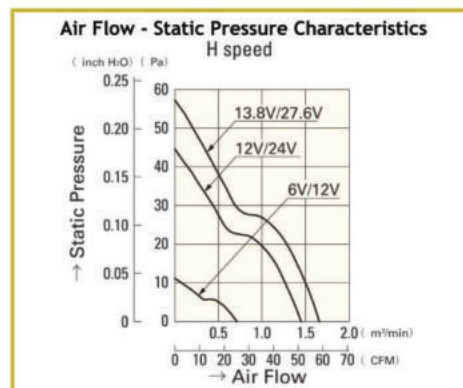
24 V



General Specifications

- **Material:**
 - Frame: Plastics (Flammability: UL 94V-0)
 - Impeller: Plastics (Flammability: UL 94V-1)
- **Expected Life:** 40,000 h (L10:Survival rate: 90% at 60 °C, rated voltage, and continuously run in a free air state)
- **Lead Wire:** ⊕ red ⊖ black or blue
- **Storage Temperature:** -30 °C to +70 °C (Non-condensing)
- **Ball bearings**
- **International Standards:** UL/CSA, TÜV, RoHS

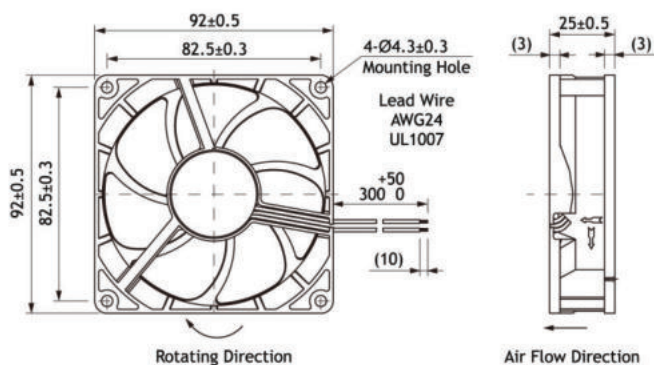
Air Flow - Static Pressure Characteristics



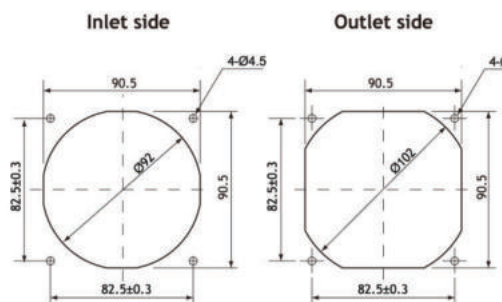
Specifications

Model No.	Rated Voltage [V]	Operating Voltage Range [V]	Rated Current [A]	Rated Input [W]	Rated Speed [min ⁻¹]	Max. Air Flow [m ³ /min] [CFM]	Max. Static Pressure [Pa] [inchH ₂ O]	SPL [dB(A)]	Operating Temperature [°C]	Expected Life [h]
9A0924H402	24	12 to 27.6	0.1	2.4	3,150	1.45 51.2	44 0.177	33	-20 to +70	40,000/60°

Dimensions (Unit:mm)



Reference dimension of mounting holes and vent opening (Unit: mm)



92 mm sq.



- Model always available on stock at R.T.A.
- Also available for online purchasing at www.rta-store.com

92x92x25 mm

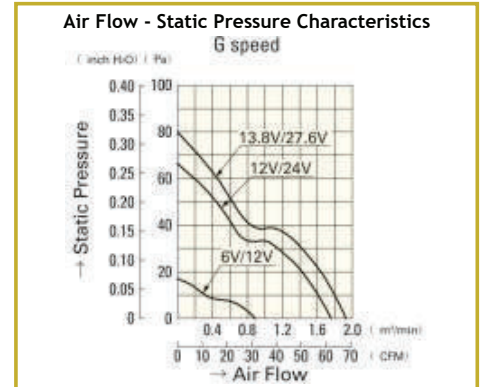
12 V Ribless



General Specifications

- **Material:**
 - Frame: Plastics (Flammability: UL 94V-0)
 - Impeller: Plastics (Flammability: UL 94V-1)
- **Expected Life:** 30,000 h (L10: Survival rate: 90% at 60 °C, rated voltage, and continuously run in a free air state)
- **Lead Wire:** ⊕ red ⊖ black or blue
- **Storage Temperature:** -30 °C to +70 °C (Non-condensing)
- **Ball bearings**
- **International Standards:** UL/CSA, TÜV, RoHS

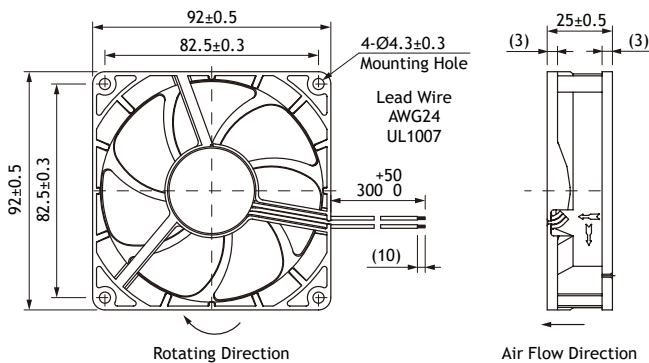
Air Flow - Static Pressure Characteristics



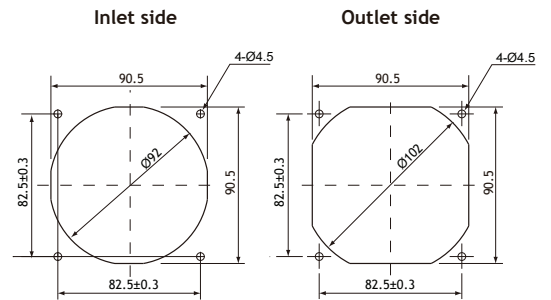
Specifications

Model No.	Rated Voltage [V]	Operating Voltage Range [V]	Rated Current [A]	Rated Input [W]	Rated Speed [min ⁻¹]	Max. Air Flow [m ³ /min]	Max. Air Flow [CFM]	Max. Static Pressure [Pa]	Max. Static Pressure [inchH ₂ O]	SPL [dB(A)]	Operating Temperature [°C]	Expected Life [h]
9A0912G4021	12	6 to 13.8	0.39	4.68	3,900	1.76	62.1	66.5	0.267	43	-20 to +60	30,000/60*

Dimensions (Unit:mm)



Reference dimension of mounting holes and vent opening (Unit: mm)



92 mm sq.



- Model always available on stock at R.T.A.
- Also available for online purchasing at www.rta-store.com

SANYO DENKI
San Ace

9G1224H402

120x120x25 mm

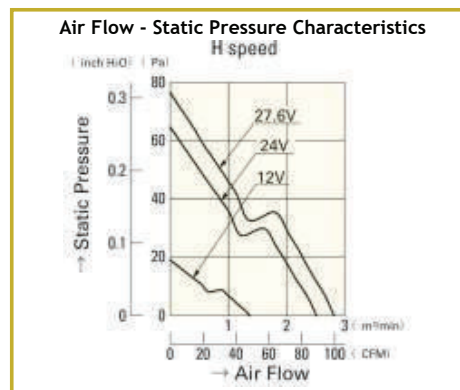
24 V



General Specifications

- **Material:**
- Frame: Plastics (Flammability: UL 94V-0)
- Impeller: Plastics (Flammability: UL 94V-1)
- **Expected Life:** 40,000 h (L10:Survival rate: 90% at 60 °C, rated voltage, and continuously run in a free air state)
- **Lead Wire:** ⊕ red ⊖ black or blue
- **Storage Temperature:** -30 °C to +70 °C (Non-condensing)
- **Ball bearings**
- **International Standards:** UL/CSA, TÜV, RoHS

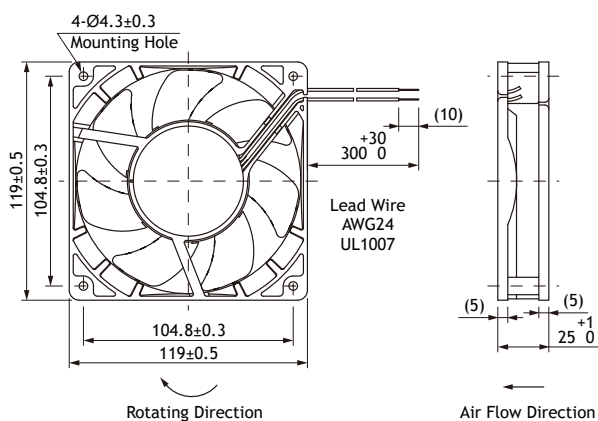
Air Flow - Static Pressure Characteristics



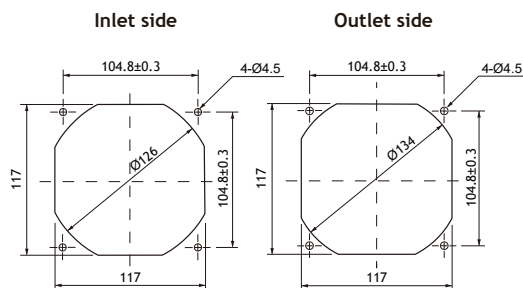
Specifications

Model No.	Rated Voltage [V]	Operating Voltage Range [V]	Rated Current [A]	Rated Input [W]	Rated Speed [min ⁻¹]	Max. Air Flow [m ³ /min] [CFM]	Max. Static Pressure [Pa] [inchH ₂ O]	SPL [dB(A)]	Operating Temperature [°C]	Expected Life [h]
9G1224H402	24	12 to 27.6	0.17	4.08	2,850	2.50 88	64 0.257	40	-20 to +70	40,000/60°

Dimensions (Unit:mm)



Reference dimension of mounting holes and vent opening (Unit: mm)



120 mm sq.



- Model always available on stock at R.T.A.
- Also available for online purchasing at www.rta-store.com

120x120x38 mm

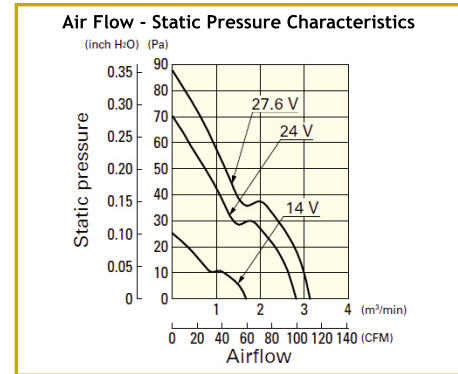
24 V



General Specifications

- **Material:**
 - Frame: Plastics (Flammability: UL 94V-0)
 - Impeller: Plastics (Flammability: UL 94V-1)
- **Expected Life:** 40,000 h (L10:Survival rate: 90% at 60 °C, rated voltage, and continuously run in a free air state)
- **Lead Wire:** ⊕ red ⊖ black or blue
- **Storage Temperature:** -30 °C to +70 °C (Non-condensing)
- **Ball bearings**
- **International Standards:** UL/CSA, TÜV, RoHS

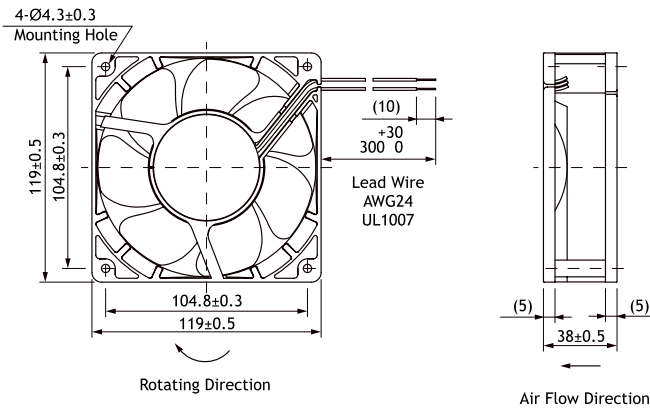
Air Flow - Static Pressure Characteristics



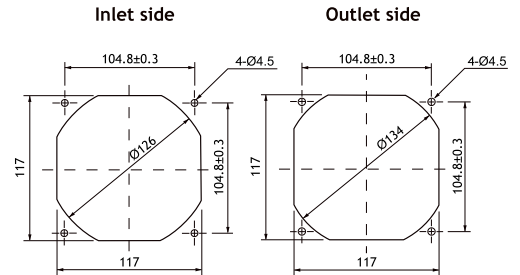
Specifications

Model No.	Rated Voltage [V]	Operating Voltage Range [V]	Rated Current [A]	Rated Input [W]	Rated Speed [min ⁻¹]	Max. Air Flow [m ³ /min]	Max. Air Flow [CFM]	Max. Static Pressure [Pa]	Max. Static Pressure [inchH ₂ O]	SPL [dB(A)]	Operating Temperature [°C]	Expected Life [h]
9G1224H102	24	14.0 to 27.6	0.22	5.28	2,600	2.8	99	70.4	0.283	39	-20 to +70	40,000/60°

Dimensions (Unit:mm)



Reference dimension of mounting holes and vent opening (Unit: mm)



120 mm sq.



- Model always available on stock at R.T.A.
- Also available for online purchasing at www.rta-store.com

SANYO DENKI
San Ace

9G1224G102

120x120x38 mm

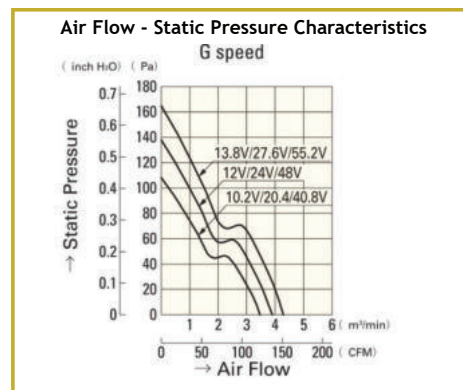
24 V



General Specifications

- **Material:**
 - Frame: Plastics (Flammability: UL 94V-0)
 - Impeller: Plastics (Flammability: UL 94V-1)
- **Expected Life:** 40,000 h (L10:Survival rate: 90% at 60 °C, rated voltage, and continuously run in a free air state)
- **Lead Wire:** ⊕ red ⊖ black or blue
- **Storage Temperature:** -30 °C to +70 °C (Non-condensing)
- **Ball bearings**
- **International Standards:** UL/CSA, TÜV, RoHS

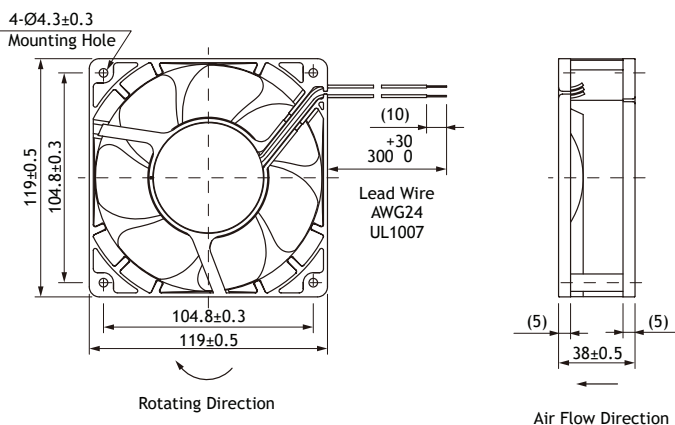
Air Flow - Static Pressure Characteristics



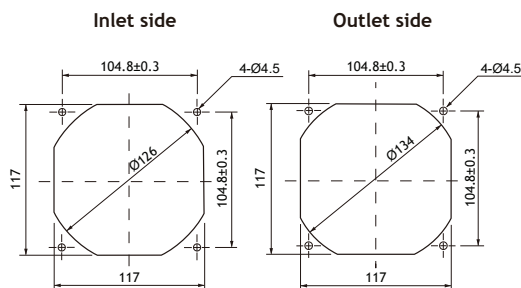
Specifications

Model No.	Rated Voltage [V]	Operating Voltage Range [V]	Rated Current [A]	Rated Input [W]	Rated Speed [min ⁻¹]	Max. Air Flow [m ³ /min]	Max. Air Flow [CFM]	Max. Static Pressure [Pa]	Max. Static Pressure [inchH ₂ O]	SPL [dB(A)]	Operating Temperature [°C]	Expected Life [h]
9G1224G102	24	20.4 to 27.6	0.50	12	3,600	3.88	137	135	0.542	49	-20 to +70	40,000/60°

Dimensions (Unit:mm)



Reference dimension of mounting holes and vent opening (Unit: mm)



120 mm sq.



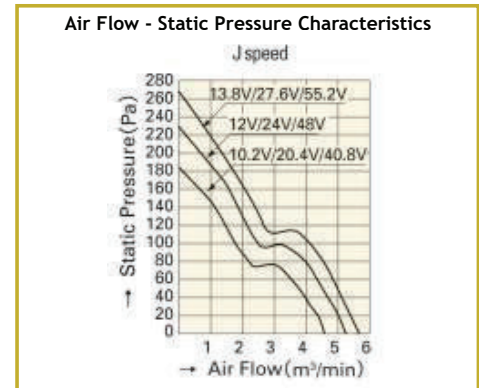
- Model always available on stock at R.T.A.
- Also available for online purchasing at www.rta-store.com

120x120x38 mm 24 V | LONG LIFE

General Specifications

- **Material:**
 - Frame: Aluminum
 - Impeller: Plastics (Flammability: UL94V-1)
- **Expected Life:** 60,000 h (L10:Survival rate: 90% at 60 °C, rated voltage, and continuously run in a free air state)
- **Lead Wire:** ⊕ red ⊖ black or blue
- **Storage Temperature:** -30 °C to +70 °C (Non-condensing)
- **Ball bearings**

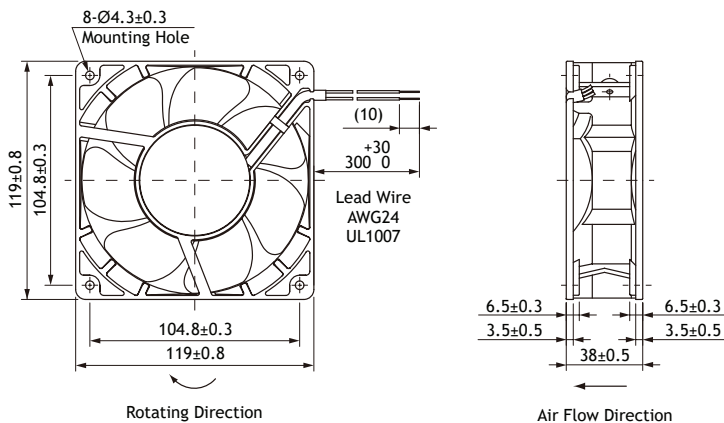
Air Flow - Static Pressure Characteristics



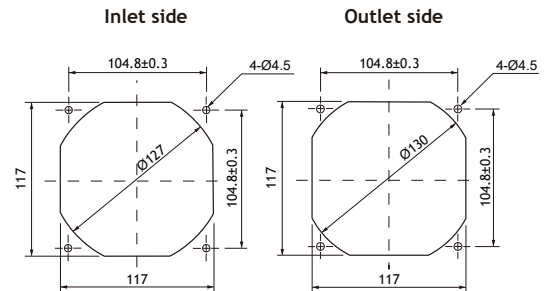
Specifications

Model No.	Rated Voltage [V]	Operating Voltage Range [V]	Rated Current [A]	Rated Input [W]	Rated Speed [min ⁻¹]	Max. Air Flow [m³/min]	Max. Air Flow [CFM]	Max. Static Pressure [Pa]	Max. Static Pressure [inchH ₂ O]	SPL [dB(A)]	Operating Temperature [°C]	Expected Life [h]
9GL1224J102	24	20.4 to 27.6	1.0	24	4,800	5.10	180	230	0.924	57	-10 to +70	60,000/60°

Dimensions (Unit:mm)



Reference dimension of mounting holes and vent opening (Unit: mm)



120 mm sq.



- Model always available on stock at R.T.A.
- Also available for online purchasing at www.rta-store.com

SANYODENKI
San Ace

109E5724H502

172x150x51 mm

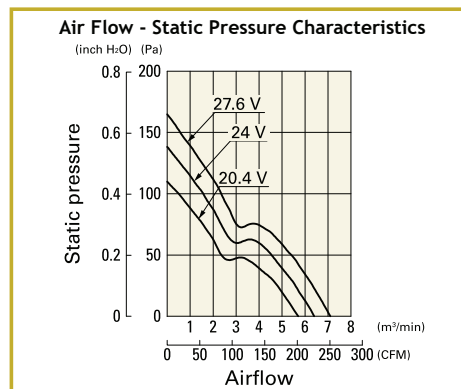
24 V



General Specifications

- Material:
 - Frame: Aluminum
 - Impeller: Plastics (Flammability: UL94V-1)
- Expected Life: 40,000 h (L10:Survival rate: 90% at 60 °C, rated voltage, and continuously run in a free air state)
- Lead Wire: ⊕ red ⊖ black or blue
- Storage Temperature: -30 °C to +70 °C (Non-condensing)
- Ball bearings
- International Standards: UL/CSA, TÜV, RoHS

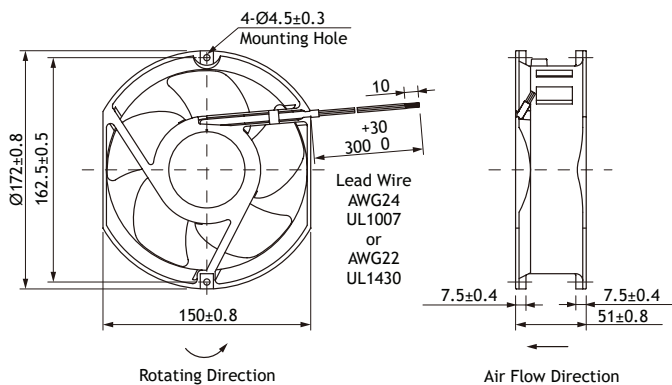
Air Flow - Static Pressure Characteristics



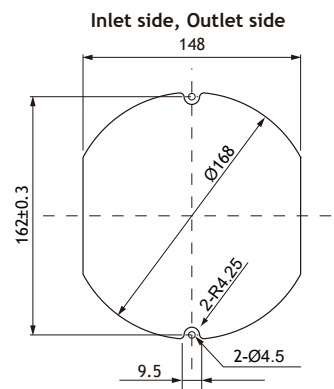
Specifications

Model No.	Rated Voltage [V]	Operating Voltage Range [V]	Rated Current [A]	Rated Input [W]	Rated Speed [min ⁻¹]	Max. Air Flow [m ³ /min]	Max. Air Flow [CFM]	Max. Static Pressure [Pa]	Max. Static Pressure [inchH ₂ O]	SPL [dB(A)]	Operating Temperature [°C]	Expected Life [h]
109E5724H502	24	20.4 to 27.6	0.58	13.92	3,050	6.4	226	137.2	0.551	52	-20 to +70	40,000/60°

Dimensions (Unit:mm)



Reference dimension of mounting holes and vent opening (Unit: mm)



$\varnothing 172$ mm



- Model always available on stock at R.T.A.
- Also available for online purchasing at www.rta-store.com

172x150x51 mm

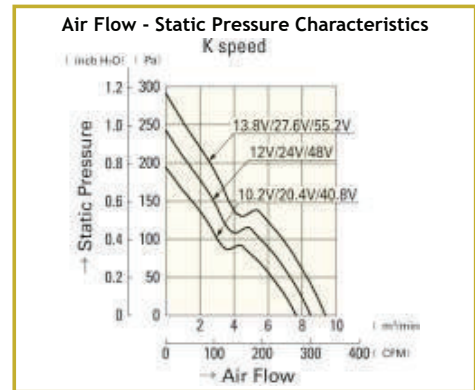
24 V



General Specifications

- **Material:**
 - Frame: Aluminum
 - Impeller: Plastics (Flammability: UL94V-1)
- **Expected Life:** 40,000 h (L10:Survival rate: 90% at 60 °C, rated voltage, and continuously run in a free air state)
- **Tach output**
- **Lead Wire:** ⊕ red ⊖ black or blue (Sensor) yellow
- **Storage Temperature:** -30 °C to +70 °C (Non-condensing)
- **Ball bearings**
- **International Standards:** UL/CSA, TÜV, RoHS

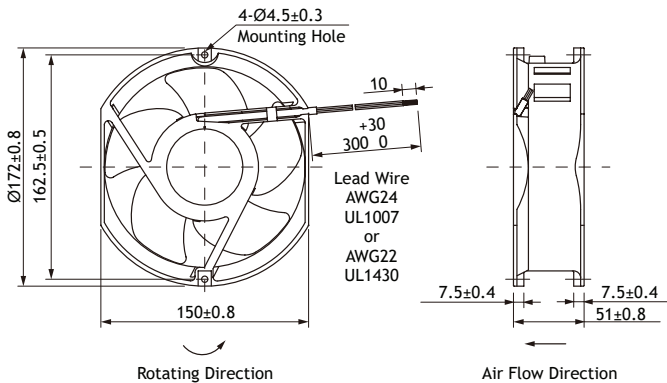
Air Flow - Static Pressure Characteristics



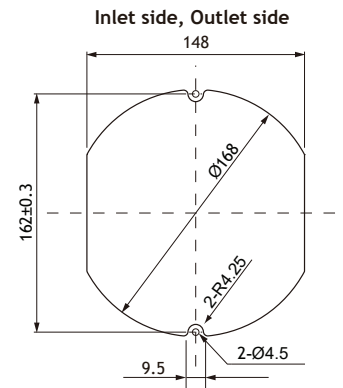
Specifications

Model No.	Rated Voltage [V]	Operating Voltage Range [V]	Rated Current [A]	Rated Input [W]	Rated Speed [min ⁻¹]	Max. Air Flow [m ³ /min]	Max. Air Flow [CFM]	Max. Static Pressure [Pa]	Max. Static Pressure [inchH ₂ O]	SPL [dB(A)]	Operating Temperature [°C]	Expected Life [h]
109E5724K501	24	20.4 to 27.6	1.3	31.2	4,100	8.5	300	243.0	0.976	60	-20 to +70	40,000/60

Dimensions (Unit:mm)



Reference dimension of mounting holes and vent opening (Unit: mm)



Ø 172 mm



- Model always available on stock at R.T.A.
- Also available for online purchasing at www.rta-store.com

COOLING FANS
ACDC AXIAL FANS



120x120x38 mm

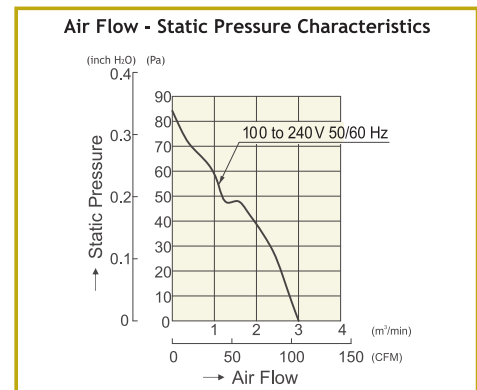
ACDC



General Specifications

- **Material:**
- Frame: Plastics (Flammability: UL 94V-0)
- Impeller: Plastics (Flammability: UL 94V-1)
- **Expected Life:** 60,000 h (L10:Survival rate: 90% at 60 °C, rated voltage, and continuously run in a free air state)
- **Motor construction:** Brushless DC motors
- **Motor Protection System:** Burnout protection at locked rotor condition
- **Ball bearings**
- **Dielectric Strength:** 50/60 Hz, 1,500 VAC, 1 minute (between power terminal and frame or between lead conductor and frame)
- **Insulation Resistance:** 10MΩ or more at 500 VDC megger (between lead conductor and frame)
- **Storage Temperature:** -30 °C to +75 °C (Non-condensing)
- **International Standards:** CE, UL/CSA, TÜV, RoHS

Air Flow - Static Pressure Characteristics

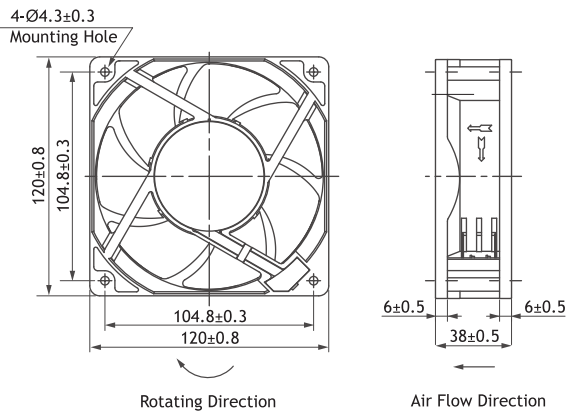


Specifications

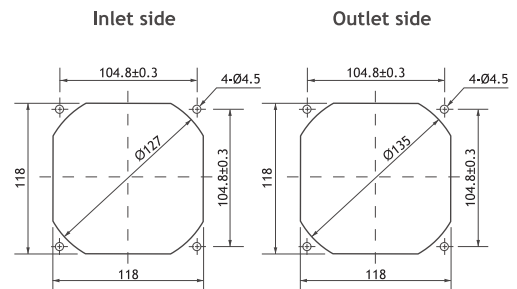
Model No.	Rated Voltage [V]	Operating Voltage Range [V]	Frequency * [Hz]	Rated Current [A]	Rated Input [W]	Rated Speed [min ⁻¹]	Max. Air Flow [m ³ /min]	Max. Air Flow [CFM]	Max. Static Pressure [Pa]	Max. Static Pressure [inchH ₂ O]	SPL [dB(A)]	Operating Temperature [°C]	Expected Life [h]
9AD1201H12	100 to 240	90 to 264	50/60	0.08	4.4	3,250	3.0	106	84	0.34	42	-20 to +75	60,000/60*

*NOTE: 50/60 Hz compatible.

Dimensions (Unit:mm)



Reference dimension of mounting holes and vent opening (Unit: mm)



120 mm sq.



- Model always available on stock at R.T.A.
- Also available for online purchasing at www.rta-store.com

COOLING FANS
AC AXIAL FANS



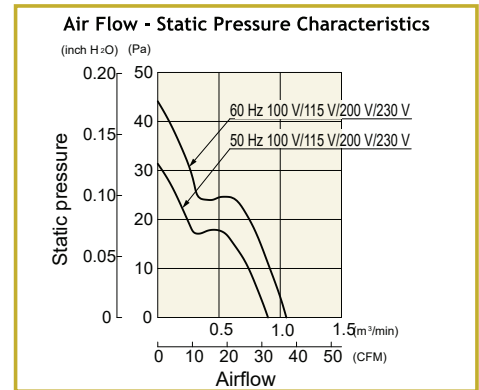
80x80x38 mm



General Specifications

- **Material:**
 - Frame: Aluminum
 - Impeller: Plastics (Flammability: UL94V-1)
- **Expected Life:** 25,000h (L10:Survival rate: 90% at 60 °C, rated voltage, and continuously run in a free air state)
- **Lead Wire:** ⊕ red ⊖ black
- **Storage Temperature:** -30 °C to +70 °C (Non-condensing)
- **Ball bearings**
- **International Standards:** CE,UL/CSA, TÜV, RoHS

Air Flow - Static Pressure Characteristics

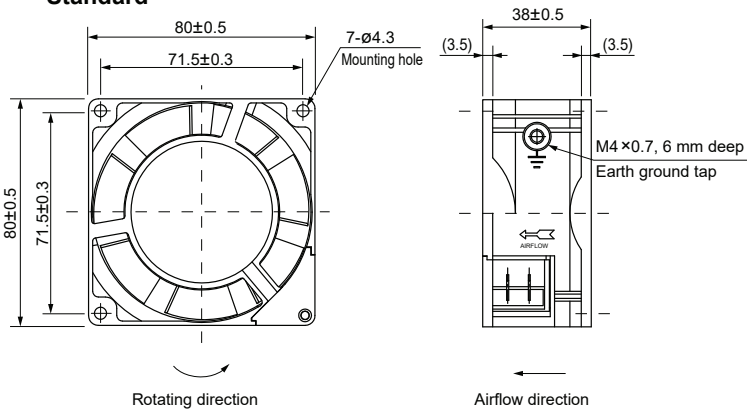


Specifications

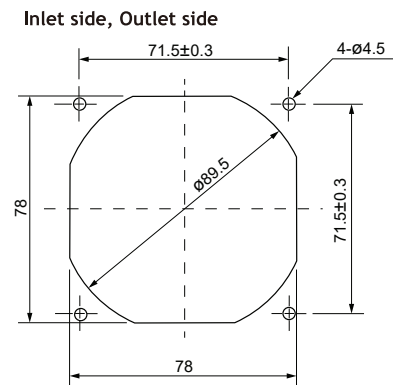
Model No.	Rated Voltage [V]	Frequency [Hz]	Rated Current [A]	Rated Input [W]	Rated Speed [min ⁻¹]	Max. Air Flow [m ³ /min]	Max. Air Flow [CFM]	Max. Static Pressure [Pa]	Max. Static Pressure [inchH ₂ O]	SPL [dB(A)]	Operating Temperature [°C]	Expected Life [h]
109-154	230	50/60	0.06/0.05	9/8	2,700/3,150	0.9/1.05	31.8/37.1	31.4/44.1	0.126-0.177	35/39	-30 to + 60	25,000/60 °C

Dimensions (Unit:mm)

Standard



Reference dimension of mounting holes and vent opening (Unit: mm)



80 mm sq.



- Model always available on stock at R.T.A.
- Also available for online purchasing at www.rta-store.com

SANYO DENKI
San Ace

109S072-UL

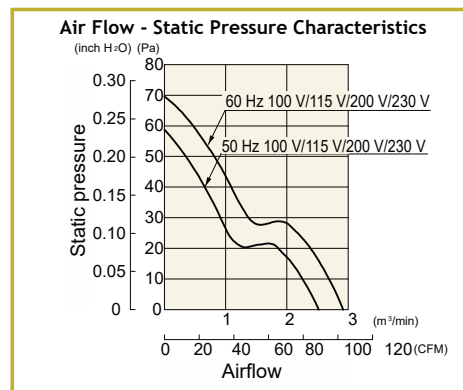
120x120x38 mm



General Specifications

- Material:
 - Frame: Aluminum
 - Impeller: Plastics (Flammability: UL94V-1)
- Expected Life: 25,000 h (L10:Survival rate: 90% at 60 °C, rated voltage, and continuously run in a free air state)
- Storage Temperature: -30 °C to +70 °C (Non-condensing)
- Ball bearings
- International Standards: UL/CSA, TÜV, RoHS, CE

Air Flow - Static Pressure Characteristics

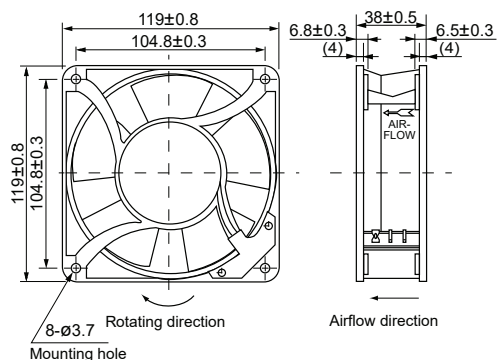


Specifications

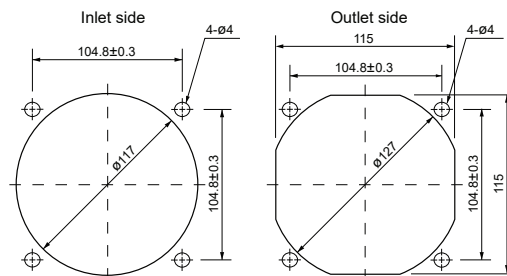
Model No.	Rated Voltage [V]	Frequency [Hz]	Rated Current [A]	Rated Input [W]	Rated Speed [min ⁻¹]	Max. Air Flow [m³/min]	Max. Air Flow [CFM]	Max. Static Pressure [Pa]	Max. Static Pressure [inchH ₂ O]	SPL [dB(A)]	Operating Temperature [°C]	Expected Life [h]
109S072-UL	230	50/60	0.11/0.9	18/16	2,700/3,100	2.5/2.9	88./102.5	57.9/68.7	0.233/0.276	42/45	-30 to +60	25,000/60°C

Dimensions (Unit:mm)

Standard



Reference dimension of mounting holes and vent opening (Unit: mm)



120 mm sq.



- Model always available on stock at R.T.A.
- Also available for online purchasing at www.rta-store.com

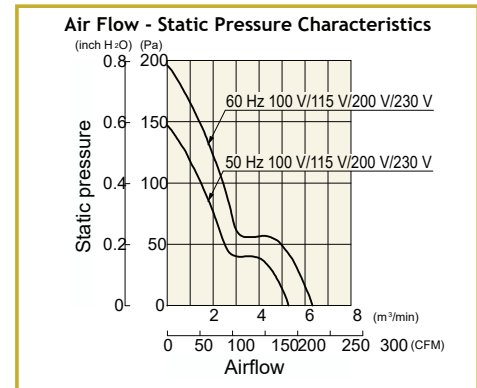
172x51 mm



General Specifications

- **Material:**
- Frame: Aluminum
- Impeller: Plastics (Flammability: UL94V-1)
- **Expected Life: 25,000 h (L10:Survival rate: 90% at 60 °C, rated voltage, and continuously run in a free air state)**
- **Storage Temperature: -30 °C to +70 °C (Non-condensing)**
- **Ball bearings**
- **International Standards: UL/CSA, TÜV, RoHS, CE**

Air Flow - Static Pressure Characteristics

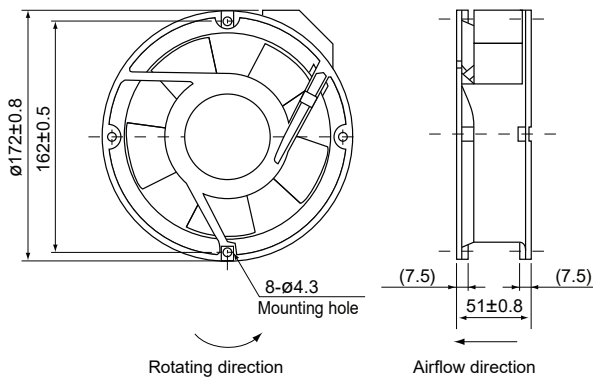


Specifications

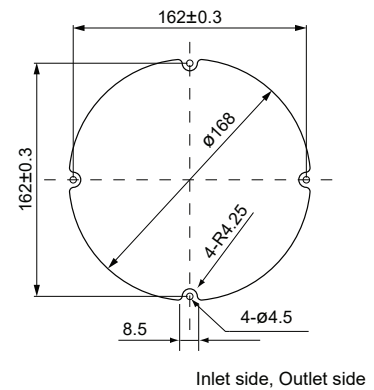
Model No.	Rated Voltage [V]	Frequency [Hz]	Rated Current [A]	Rated Input [W]	Rated Speed [min ⁻¹]	Max. Air Flow [m ³ /min] [CFM]	Max. Static Pressure [Pa] [inchH ₂ O]	SPL [dB(A)]	Operating Temperature [°C]	Expected Life [h]
109-313	230	50/60	0.14/0.11	27/25	2,900/3,500	5.3/6.4 187.3/226.1	147/196 0.59/0.787	47/51	-30 to +70	25,000/60 °C

Dimensions (Unit:mm)

Standard



Reference dimension of mounting holes and vent opening (Unit: mm)



Ø 172 mm

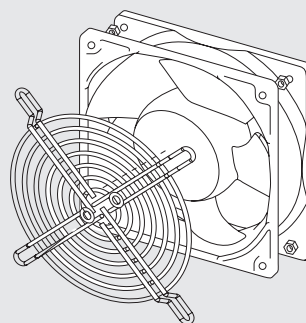


- **Model always available on stock at R.T.A.**
- **Also available for online purchasing at www.rta-store.com**

Cooling Fans accessories

1 METAL FAN GUARDS

Fan Guards increases safety by preventing foreign objects from entering fans.



2 PLASTIC FAN FILTERS

Fan Filters assure protection to the fan blade allowing free passage of air with minimum resistance.

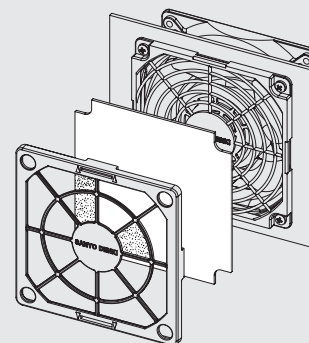


Table of contents

ACCESSORIES

	DESCRIPTION	SUITABLE FOR FANS (mm)	MATERIALS	SURFACE TREATMENT
METAL FAN GUARDS				
MF-040-13	Metal Fan Guard	40x40	C1010 Bright Basic Wire	Bright Nickel Chrome
MF-060-09	Metal Fan Guard	60x60	C1010 Bright Basic Wire	Bright Nickel Chrome
MF-080-01	Metal Fan Guard	80x80	C1010 Bright Basic Wire	Bright Nickel Chrome
MF-120-05	Metal Fan Guard	120x120	C1010 Bright Basic Wire	Bright Nickel Chrome

Other sizes Available

Table of contents

ACCESSORIES

	DESCRIPTION	SUITABLE FOR FANS (mm)	MATERIALS	COLOR
PLASTIC FAN FILTERS				
FRM-325-A080	Plastic Fan Filter	80x80	Guard: Plastic Filter: PU Foam	Black
FRM-450-A120	Plastic Fan Filter	120x120	Guard: Plastic Filter: PU Foam	Black

Other sizes Available

ITALY
Corporate Headquarters

R.T.A.srl
Via E. Mattei 15, Fraz. Divisa - 27020 Marcignago (PV) ITALY
T +39.0382.929.855 | F +39.0382.929.150 | info@rta.it
www.rta.it

Local Branches

◦ R.T.A. Filiale Centro
Centro Direzionale Cavour
Via Cavour 2, 40055 Villanova di Castenaso (BO) ITALY
T +39.051.780141 | rtabo@rta.it

R.T.A. Filiale Nord-Est
Via D. Alighieri 4, 30034 Mira (VE) ITALY
T +39.041.5600332 | F +39.041.5600165 | rtane@rta.it

GERMANY

R.T.A Deutschland GmbH
Bublitzer Strasse 34, 40599 Düsseldorf GERMANY
T +49.211.749.668.60 | F +49.211.749.668.66 | info@rta-deutschland.de
www.rta-deutschland.de

INDIA

R.T.A. India Pvt
Teerth Business Center
3rd Floor, Unit No. 7, Block EL - 15, MIDC Bhosari
Pimpri-Chinchwad, Pune 411026 INDIA
T +91 942.250.744.5 | rtain@rta-india.in
www.rta-india.in



CATALOGUE
DIGITAL EDITION

